



BALL VALVE IDENTIFICATION CODE AND MATERIAL SELECTION GUIDE - 3 PIECE VALVES

MODELS	BODY MATERIALS		SECOND END CONNECTIONS		VALVE - SOFT PARTS								OPERATOR		SIZE	
					SEATS		STEM SEALS		BODY SEALS		O-RINGS				inch	mm
3PC 300 200 DM310 DM320 HPF40 HPF50 TK300 1550 1540	316SS	SS	Threaded	1	TFM	F	TFM	F	TFM	F	VITON	V	Lever Locking	L	1/4	8
	WCB	CS	Socket Weld	2	CTFM (CPTFE)	Y	CTFM (CPTFE)	Y	CTFM	Y	EPDM	E	Oval Locking	O	3/8	10
	Alloy 20	A2	Butt Weld	3	PTFE	T	RTFM	X	PTFE	T	PTFE	T	Gear	G	1/2	15
	Brass	BZ	Flanged 150	4	RPTFE	R	PTFE	T	RPTFE	R	BUNA	B	Deadman	S	3/4	20
	Aluminum	AL	Flanged 300	5	50/50	S	RPTFE	R	50/50	S	NONE	N	Actuator	A	1	25
			Flanged 600	6	UHMWPE	U	50/50	S	UHMWPE	U			Bare Stem	N	1 1/4	32
			Flanged 900	7	PEEK	P	UHMWPE	U	PEEK	P			Special	X	1 1/2	40
			Flanged 1500	8	Cavity Filled	C	PEEK	P	Graphite	G					2	50
					Metal	M	Graphite	G	Kel-F	K					2 1/2	65
					Kel-F	K									3	80
														4	100	

SPECIAL NOTES:

- **Model Selection:** See model selection choices, consult catalog or website for more information.
- **End Connection:** Valve model number indicates end connection type. Second End Connection notation can be used in conjunction with valve model number to indicate a combination such as: NPT x Socket Weld.
- **For V-Modulating Control V-Ball** add as a special feature.
- **Ball:** All ball material is supplied standard as 316SS. If a different material is required, please specify as a special feature.
- **Special Features** are noted at the end of the identification number. Please see special feature codes.
- **Ordering Information:** When placing an order or requesting a quotation, please provide as many details on the application as possible, such as: media type, temperature, pressure, pipe size, etc.

Ordering Example By Part Number - 3PC Valves:

3PC	316SS	NPT x SW	TFM	GRAPHITE	TFM	Viton	LEVER	2"	Media Containment
MODEL	BODY MATERIAL	2nd End Connection	SEAT	STEM SEAL	BODY SEAL	O-RING	OPERATOR	SIZE	*SPECIAL FEATURE
310	SS	- 2	- F	G	F	V	- L	- 50	- H3

* REFERENCE SPECIAL FEATURE IF REQUIRED.

Tri-Star Series 3pc 1500 WOG Model Types - Full Port:

STAINLESS	CARBON	END CONNECTION
510	410	NPT Threaded
520	420	Socket Weld

Tri-Pro Series 3pc Fire Safe 2250/3000 WOG Model Types - Full Port / Standard Port:

Full Port	STAINLESS	Standard Port	Full Port	CARBON	Standard Port	END CONNECTION
HPF51		HPS51	HPF41		HPS41	NPT Threaded
HPF52		HPS52	HPF42		HPS42	Socket Weld
HPF53		HPS53	HPF43		HPS43	Butt Weld
HPF56		N / A	HPF46		N / A	Flanged - 600

Multi-Choice Series 3pc Full Port 1500 WOG Model Types - Full Port:

STAINLESS	CARBON	END CONNECTION
310	210	NPT Threaded
320	220	Socket Weld
330	230	Butt Weld
340	240	Flanged - 150
350*	-	Tri Clamp
370*	-	Tube End
TK300	TK200	Tank Pad

* MODELS S350 AND S370 AVAILABLE FOR SANITARY, HIGH PURITY APPLICATIONS



BALL VALVE IDENTIFICATION CODE AND MATERIAL SELECTION GUIDE - FLANGED VALVES

MODELS	BODY MATERIALS		VALVE - SOFT PARTS								OPERATOR		SIZE	
			SEATS		STEM SEALS		BODY SEALS		O-RINGS				inch	mm
Flanged End Full Bore F150 F300 F600	316SS	SS	TFM	F	TFM	F	TFM	F	VITON	V	Lever Locking	L	1/2	15
	WCB	CS	CTFM	Y	CTFM	Y	CTFM	Y	EPDM	E	Oval Locking	O	3/4	20
	Alloy 20	A2	PTFE	T	RTFM	X	PTFE	T	PTFE	T	Gear	G	1	25
	Duplex	DP	RPTFE	R	PTFE	T	RPTFE	R	BUNA	B	Deadman	S	1 1/4	32
			50/50	S	RPTFE	R	50/50	S	NONE	N	Actuator	A	1 1/2	40
Flanged End Standard Bore RF15 SF150 RF30 SF300 SF600			UHMWPE	U	50/50	S	UHMWPE	U			Bare Stem	N	2	50
			PEEK	P	UHMWPE	U	PEEK	P			Special	X	2 1/2	65
			Cavity Filled	C	PEEK	P	Graphite	G					3	80
			Metal	M	Graphite	G	Kel-F	K					4	100
			Kel-F	K									5	125
													6	150
													8	200
												10	250	
												12	300	
												14	350	
												16	400	
												18	450	
												20	500	
												24	600	

SPECIAL NOTES:

- **Model Selection:** See model selection choices, consult catalog or website for more information.
- **End Connection:** Valve model number indicates end connection type. All conform to ANSI standards.
- **For V-Modulating Control V-Ball:** add as a special feature.
- **Ball:** All ball material is supplied standard to 316SS. If a different material is required, please specify as a special feature.
- **Special Features:** are noted at the end of the identification number, please see special feature code.
- **Ordering Information:** When placing an order or requesting a quotation, please provide as many details on the application as possible such as: media type, temperature, pressure, pipe size, etc.

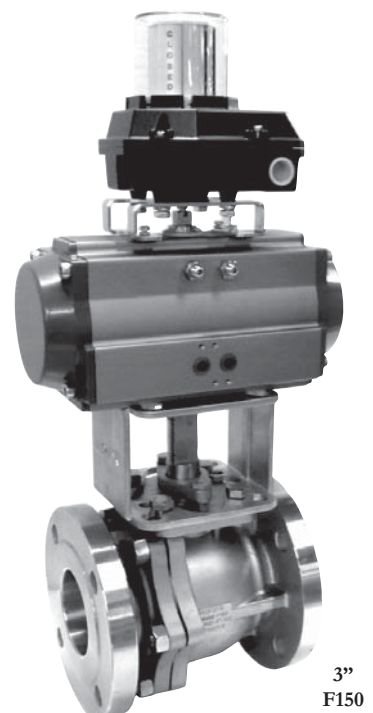
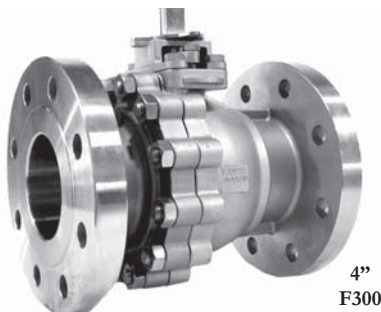
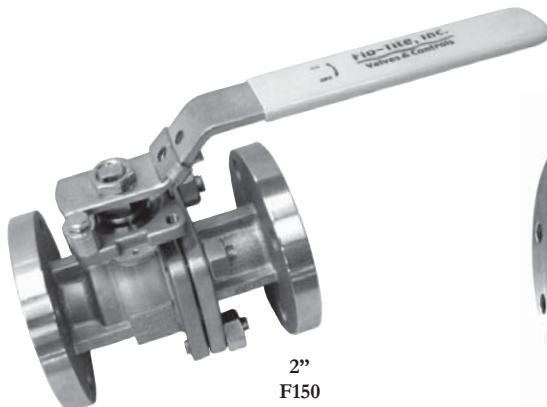
Ordering Example By Part Number - Flanged Ball Valves:

FLANGED FULL	316SS	TFM	GRAPHITE	TFM	Viton	LEVER	2"	3/8" GAUGE TAPS
MODEL	BODY MATERIAL	SEAT	STEM SEAL	BODY SEAL	O-RINGS	OPERATOR	SIZE	*SPECIAL FEATURE
F150	SS	F	G	F	V	L	50	G1

* REFERENCE SPECIAL FEATURE IF REQUIRED.

Available Types / Models:

MODEL	VALVE BORE	PRESSURE	BODY DESIGN
F150	FULL PORT	150 ANSI	2PC
SF150	STANDARD PORT	150 ANSI	1PC
RF15	STANDARD PORT	150 ANSI	2PC
F300	FULL PORT	300 ANSI	2PC
SF300	STANDARD PORT	300 ANSI	1 PC
RF30	STANDARD PORT	300 ANSI	1 PC
F600	FULL PORT	600 ANSI	2PC





BALL VALVE IDENTIFICATION CODE AND MATERIAL SELECTION GUIDE - MULTI-PORT VALVES

MODELS	BODY MATERIALS		BALL TYPES		VALVE - SOFT PARTS						OPERATOR		SIZE	
					SEATS		STEM SEALS		BODY SEALS				inch	mm
NPT MPT100 MPT365-355	316SS	SS	DIVERTER BALL	L	TFM	F	TFM	F	TFM	F	Lever Locking	L	1/4	8
	WCB	CS	T-BALL	T	CTFM	Y	CTFM	Y	RTFM	X		3/8	10	
	ALLOY 20	A2	DOUBLE-L	LL	RTFM	X	RTFM	X	PTFE	T	Oval Locking	O	1/2	15
TRI-CLAMP MPC100	Bronze	BZ			PTFE	T	PTFE	T	RPTFE	R		3/4	20	
NPT FULL MPT15					RPTFE	R	RPTFE	R	50/50	S	Gear Deadman	G	1	25
					50/50	S	50/50	S	UHMWPE	U		S	1 1/4	32
CLAMP FULL MPC15					UHMWPE	U	UHMWPE	U	PEEK	P	Actuator Bare Stem	A	1 1/2	40
					PEEK	P	PEEK	P	GRAPHITE/SS	G		N	2	50
FLANGED FULL MPF 15 MPF 30 MPS15					METAL	M	GRAPHITE	G	KEL-F	K	Special	X	2 1/2	65
					CAVITY FILLED	C							3	80
					KEL-F	K							4	100

5	125
6	150
8	200
10	250
12	300

SPECIAL NOTES:

- **Model Selection:** See model selection choices, consult catalog or website for more information.
- **End Connection:** Valve model number indicates end connection types.
- **Ball:** All ball material is supplied standard to 316SS. If a different material is required, please specify as a special feature.
- **Special Features:** are noted at the end of the identification number. Please see special feature code.
- **Ordering Information:** When placing an order or requesting a quotation, please provide as many details on the application as possible such as: media type, temperature, pressure, pipe size, etc.
- **Flow Patterns:** To indicate flow patterns, see Tech Bulletins: 19, 96, 98, 100, 102 & 105. When selected, indicate as a special feature.

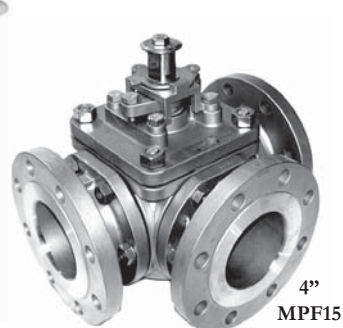
Ordering Example By Part Number - Multi-Port Ball Valves:

Tri-Clamp	316SS	DIVERTER	TFM	GRAPHITE	TFM	LEVER	2"	180° Stop
MODEL	BODY MATERIAL	BALL TYPE	SEAT	STEM SEAL	BODY SEAL	OPERATOR	SIZE	*SPECIAL FEATURE
MPC100	SS	- L	- F	G	F	- L	- 50	- K1

* REFERENCE SPECIAL FEATURE IF REQUIRED.

Available Types / Models:

MODEL	END CONNECTION	PRESSURE	SIZES	BODY MATERIAL
MPT100	NPT	1000 WOG	1/4" - 2"	316SS
MPT355/365	NPT	400 WOG	1/4" - 3"	BRASS
MPT30	NPT	300 ANSI	3/4" - 12"	CARBON/STAINLESS
MPC100	TRI CLAMP	800 WOG	1/4" - 2"	STAINLESS
MPF15	FLANGED	150 ANSI	3/4" - 12"	CARBON/STAINLESS
MPF30	FLANGED	300 ANSI	3/4" - 12"	CARBON/STAINLESS
TRI-PRO 3PC 3W-HPF	NPT/FLG SW/BW	1500 WOG	1/4" - 4"	CARBON/STAINLESS





BALL VALVE IDENTIFICATION CODE SPECIAL FEATURE CODES

The following codes represent special features that may be added to most Flo-Tite Valves:

SPECIAL FEATURE	
Special Features	Codes
A Vacuum Service SF001	A1 - Vacuum Service Preparation
B Metal Seat Design SF002 - SF004	B1 - G seal B3 - P seal B2 - O seal
C Class Shut-Off SF005 - SF008	C3 - III C5 - V C4 - IV C6 - VI
D Drain Hole in Ball (Vented Ball) SF009 - SF011	D1- 1/4 D3 - 3/8 D2 - 1/8
E Extended Stem SF012 - SF020	E1 - 1" E4 - 4" E9 - 1' E2 - 2" E6 - 6" E10-2' E3 - 3" E8 - 8" E11-3'
F Special Bore SF021	F1 - Piggable Bore
G Gauge Tapped Holes SF022 - SF023	G1 - 3/8" G2 - 1/4"
H Media Containment Cap SF024 - SF027	H1 - MC1 H3 - MC3 H2 - MC2 H4 - MC4
I Fusible Link SF028 - SF031	I2 - (165°F) I5 - (360°F) I3 - (212°F) I4 - (220°F)
J Steam Jacket SF032 - SF033	J1 - Partial J2 - Full
K Special Valve Stop SF034 - SF035	K1 - 180° K2 - Infinite
L Special Flanges SF036 - SF037	L1 - Flat Face L2 - RTJ
M Multi-Port Flow Plans SF038 - SF051	M1 - PLAN A M7 - PLAN H M2 - PLAN B M8 - PLAN I M3 - PLAN D M9 - PLAN J M4 - PLAN E M10 - PLAN K M5 - PLAN F M11 - PLAN M M6 - PLAN G M12 - PLAN N M13 - PLAN O-90° M14 - PLAN P-180°

SPECIAL FEATURE	
Special Features	Codes
N Safety Exhaust SF052	NX
O Special Cleaning SF053 - SF055	O1 - Oxygen Cleaning O2 - Oxygen Cleaning Cert. O3 - Silicone Free Cleaning
P Purge Ports SF056 - SF057	P1 - 1/4" P2 - 3/8"
Q Vented Body Relief Hole SF058 - SF060	Q1 - 1/8" Q2 - 3/8" Q3 - 1/4"
R Threads - Special SF061 - SF062	R1 - BSPP R2 - BSPT
S Surface Finishes SF063 - SF067	S1 - 8-12 Ra S4 - 30-35 Ra S2 - 15-20 Ra S5 - Electro-Polish S3 - 20-25 Ra
T Ball Special SF068 - SF069	T1 - Open Port T2 - Escaping
U Bottom Bleed/Drain SF070 - SF071	U1 - plugged drain U2 - with drain valve
V V-Ball (Control Ball) SF072 - SF077	V1 - 5° V4 - 30° V2 - 10° V5 - 60° V3 - 15° V6 - 90°
W Weld End Pipe Schedule SF078 - SF081	W1 - 5 W4 - 80 W2 - 10 W3 - 40
X Extended End SF082 - SF083	X1 - Butt Weld X2 - Socket Weld
Y Painting or Coating Special SF084 - SF086	Y1 - Epoxy Paint Y2 - Pota - Pox Y3 - Chem-Tek Coated
Z Cryogenic Preparation SF087 - SF088	Z1 - Bolted Extension Z2 - Welded Extension

Note: If a Special Feature is not covered above, indicate with S/F and list each feature.

SF001 - SF088: Computer ID Code Numbers