



Three Way Brass Multi - Port Series

Size Range:

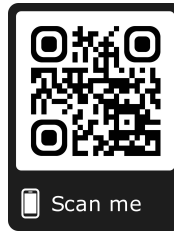
Sizes 1/4"-3"

Pressure Rating:

400 WOG

Temperature Range:

-20 °F - 375 °F



- T- Port & Diverter Type Ball Valves
- Threaded Ends
- Standard Port
- 1/4" thru 3"

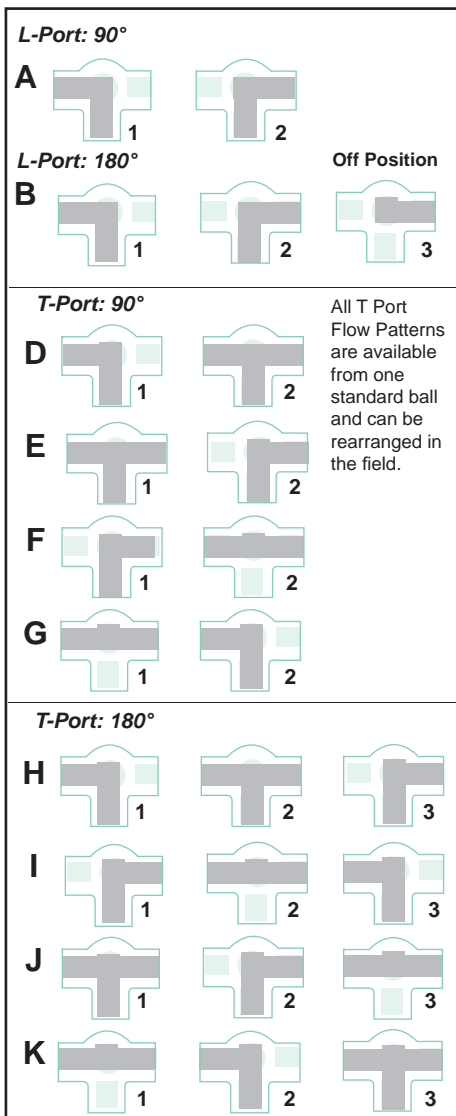
MODELS

- T- Port MPT 355
- L- Port MPT 365

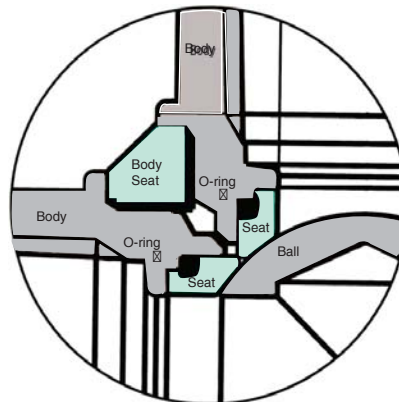
3-Way Brass Multi Port Series

STANDARD PRODUCT NUMBER

MPT365-BZ-L-TTT-L (L-Port)
MPT355-BZ-T-TTT-L (T-Port)



UNIQUE DESIGN FEATURES



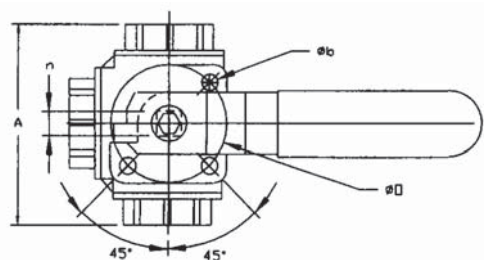
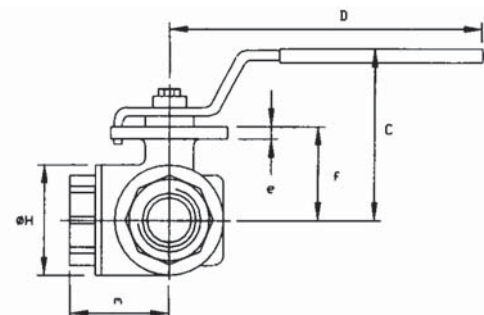
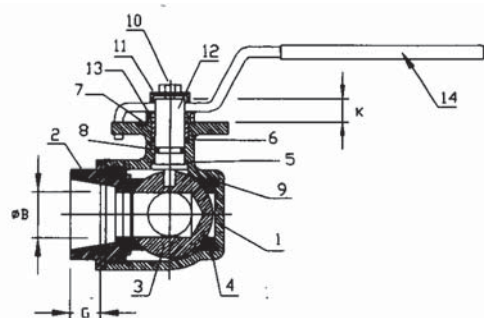
Standard Seat Design is live-loaded using O - Rings. This provides longer life with reduced torques.

- Four Seat Design in both T & Diverter Types allows for an off Position
- Pressure Rating: 400 MAWP/WOG/100 WSP
- PTFE Double O - Ring Stem Seal
- Actuator Mounting Pad complies to ISO 5211 bolting pattern, Direct Mount
- Forged Brass Body
- Chrome Plated Brass Ball

ATTENTION
MAWP/WOG is a do not exceed pressure at normal ambient NPT & Weld End Models

**THREE WAY VALVES
REDUCE THE NUMBER OF VALVES IN PIPING SYSTEMS AND INCREASES EFFICIENCY.**

THREE WAY FORGED BRASS THREADED END BALL VALVE



BILL OF MATERIALS:

| Item | Part Name | Materials | Qty. |
|------|--------------------|-------------------|------|
| 1 | Body | Brass UNI 5705-65 | 1 |
| 2 | End Caps | Brass UNI 5705-65 | 3 |
| 3 | Ball | Brass UNI 5705-65 | 1 |
| 4 | Ball Seats # | Virgin PTFE | 4 |
| 5 | Thrust Washer # | Virgin PTFE | 1 |
| 6 | Stem Seal # | Virgin PTFE | 1 |
| 7 | Stem Retaining Nut | Brass UNI 5705-65 | 1 |
| 8 | O - Ring # | FKM (Viton) | 1 |
| 9 | O - Rings # | FKM (Viton) | 4 |
| 10 | Screw | Plated Steel | 1 |
| 11 | Bush | Brass UNI 5705-65 | 1 |
| 12 | Stem | Brass UNI 5705-65 | 1 |
| 13 | Washer # | Nylon | 1 |
| 14 | Handle | Plated Steel | 1 |

Parts included in repair kits

MODELS: T Port MPT355
L Port MPT365

DESIGN TECHNICAL DATA

- PRESSURE RATING: 400 MAWP/WOG/100 WSP
- OPERATING TEMPERATURE: -20°F TO 375°F
- SEAT TEST:
80 PSI AIR UNDER WATER FOR BUBBLE TIGHT INTEGRITY
- FOUR SEAT DESIGN
- O - RING LOADED SEATS & STEM SEALS
- BLOW-OUT PROOF STEM DESIGN
- ISO 5211 TYPE ACTUATOR MOUNTING PAD
IDEAL FOR DIRECT MOUNT ACTUATION

DIMENSIONS, CV, AND WEIGHTS:

| SIZE | A | B | b | C | D | e | f | G | H | K | m | n | O | CV | | Torque # in - ibf | Weight lbs | Drilling ISO 5211 |
|--------|------|------|-------|------|------|------|------|------|------|------|------|------|-------|--------|--------|----------------------|---------------|----------------------|
| | | | | | | | | | | | | | | MPT365 | MPT355 | | | |
| 1/4" | 2.63 | 0.43 | 0.236 | 2.46 | 4.72 | 0.19 | 1.20 | 0.39 | 1.33 | 0.27 | 1.31 | 0.35 | 1.417 | 3.26 | 3.50 | 60.0 | 1.06 | F03 |
| 3/8" | 2.63 | 0.43 | 0.236 | 2.46 | 4.72 | 0.19 | 1.20 | 0.40 | 1.33 | 0.27 | 1.31 | 0.35 | 1.417 | 3.50 | 4.08 | 60.0 | 1.20 | F03 |
| 1/2" | 2.87 | 0.43 | 0.236 | 2.46 | 4.72 | 0.19 | 1.20 | 0.53 | 1.33 | 0.27 | 1.43 | 0.35 | 1.417 | 4.20 | 5.02 | 60.0 | 1.22 | F03 |
| 3/4" | 3.18 | 0.59 | 0.236 | 2.50 | 4.72 | 0.19 | 1.28 | 0.55 | 1.59 | 0.27 | 1.59 | 0.35 | 1.417 | 7.00 | 7.70 | 70.0 | 1.48 | F03 |
| 1" | 3.74 | 0.78 | 0.276 | 2.95 | 6.69 | 0.27 | 1.63 | 0.66 | 1.88 | 0.43 | 1.87 | 0.43 | 1.969 | 12.83 | 14.24 | 85.0 | 2.64 | F05 |
| 1 1/4" | 4.38 | 0.98 | 0.276 | 3.12 | 6.69 | 0.27 | 1.85 | 0.68 | 2.36 | 0.43 | 2.20 | 0.43 | 1.969 | 18.67 | 19.72 | 150.0 | 4.16 | F05 |
| 1 1/2" | 4.86 | 1.25 | 0.276 | 3.66 | 6.69 | 0.27 | 2.34 | 0.68 | 2.83 | 0.43 | 2.43 | 0.43 | 1.969 | 29.75 | 30.69 | 290.0 | 6.06 | F06 |
| 2" | 5.72 | 1.57 | 0.354 | 4.46 | 9.05 | 0.31 | 2.90 | 0.69 | 3.38 | 0.59 | 2.86 | 0.55 | 2.756 | 43.76 | 44.58 | 370.0 | 10.40 | F07 |

2 1/2" & 3" - Consult Factory

All Break Torques Are Based on an Operating Pressure of 150 PSI, Consult Factory on High Pressure.



Flo-Tite, Inc.
4815 West 5th St.
Lumberton, NC 28358

P. O. Box 1293
Lumberton, NC 28359
Website: www.flotite.com

Tel: (910) 738-8904
Fax: (910) 738-9112
E-mail: flotite@flotite.com

Due to continuous development & improvement of our product range, we reserve the right to alter the dimensions and technical data included in this brochure.

Printing Date 2018/08