



BLOW-OFF DRAIN BALL VALVES

MALE x FEMALE BALL VALVES

MODEL BV 60-BZ 2PC Body Design

Full Bore All Sizes
Cast Bronze Body
600 psi WOG
100 psi WSP
Size 1/4" - 2"



MODEL T40-SS 1PC Body Design

Reduced Port
1/8" - 1/2"
CF8M/SS316 Body
1000 psi WOG
150 psi WSP



MODEL BV2000 Seal Welded Design

SS or CS Body
2000 psi WOG
150 psi WSP
Size 1/2" - 2"



MODEL BV3000/BV6000 Seal Welded Design

SS or CS Body
BV3000:
3000 psi WOG;
50 psi WSP
BV6000:
6000 psi WOG
50 psi WSP
Size 1/2" - 1"



**MAWP/WOG is a do-not exceed
pressure at normal ambient
NPT & Weld End Models**

Design Features:

• SIMPLE OPERATION

Quick Quarter Turn Opens or Closes Valve. Locking Handle is also available

• All Types of Valve Automation Equipment

such as: pneumatic, electric, limit switch, solenoids, positioners



• DIRECT CONNECTION TO STRAINER

Male NPT Ends Mount Directly Into Strainer Blow-Off Connection For Convenient Blow Down Cleaning

• Ideal Blow-Off Valves For High Pressure Strainers ANSI Class 600, 900 & 1500

• Male Thread Ends Mount Directly Into All Types of Pressure Vessels

• Optional Safety "Dead-Man" Spring Return Handle Is Available



MODEL BV/2000 / BV3000 / BV6000

- NACE MR0175-90
- Lockable Handles
- Anti-Static Ground
- Seal Welded Body
- Casting Traceability
- API 608 Compliance
- Actuator Mounting Pad
- Live Loaded Stem Packing
- API 607-5th Edition Fire Safe
- Blow-out Proof Stem Design
- Heavy Duty, Rugged Construction

ISO 5211 Actuator Mounting Pad

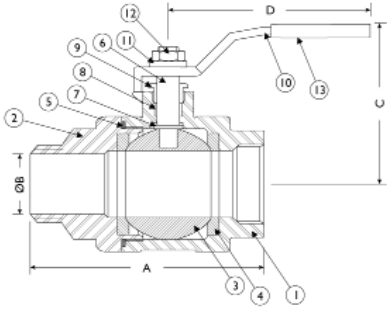
Seal Welded Design

Eliminates the possibility of body tail piece unthreading. Eliminates any possible leakage at body joints - safe, sure pressure containment.

Automatic Welding equipment is used for welding body joints. The welding width is always uniform and the weld penetration is consistent. During seal welding process, our equipment maintains a consistent water flow inside the valve, this assures a safe temperature which prevents damage to all valve seats and seals.

Standard valve seating is Devlon (BV3000/BV6000). All high temperature special seating material, please consult factory.

Model BV 60-BZ
600 PSI / WOG



Dimensions & Performance Data

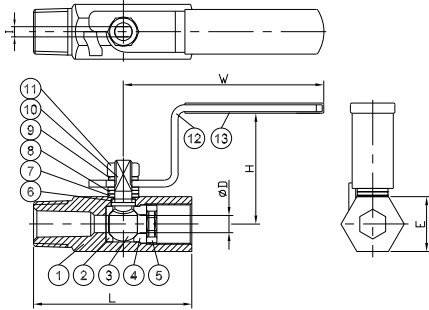
SIZE	A	B	C	D	Cv	Torque in-lbs	Weight lbs
1/4"	1.75	0.38	1.7	3.43	18	C/F	<0.5
3/8"	1.75	0.48	1.7	3.43	18	C/F	<0.5
1/2"	2.17	0.63	1.7	3.43	18	C/F	0.5
3/4"	2.64	0.88	2.12	4.5	42	C/F	0.5
1"	3.15	1.13	2.25	4.5	74	C/F	1
1 1/4"	C/F	C/F	C/F	C/F	130	C/F	C/F
1 1/2"	4.32	1.49	2.83	5.5	210	C/F	2.5
2"	4.78	2.04	3.25	5.5	380	C/F	3.5

Bill of Materials

No.	Parts	BV 60-BZ
1	Body	Bronze, ASTM B62
2	Cap	Bronze, ASTM B62
3	Ball	Brass, Chrome Plated
4	Ball Seat #	RP/TFE, 15% Glass Filled
5	Joint Gasket #	PTFE
6	Stem	Brass
7	Thrust Washer #	PTFE
8	Stem Packing #	PTFE
9	Gland Nut	Brass
10	Handle	SS304
11	Spring Washer	SS304
12	Stem Nut	SS304
13	Plastic Cover	Plastic

Parts included in repair kits

Model T40
1000 PSI / WOG

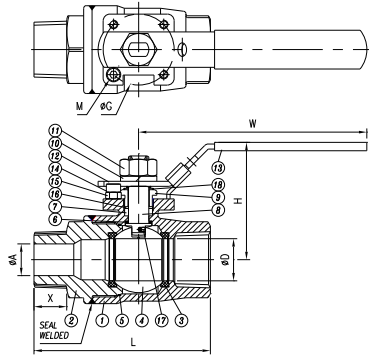


Dimensions & Performance Data

No.	Parts	T40	Qty	No.	Parts	BV3000SS	Qty
1	Body	CF8M	1	8	Gland	SS304	2
2	Body Seat #	50% SS PTFE	1	9	Spring Washer	SS304	1
3	Ball	CF8M	1	10	Stem	SS304	1
4	Cap Seat #	50% SS PTFE	1	11	Handle Nut	SS304	1
5	Retainer	CF8M	1	12	Handle	SS304	1
6	Thrust Washer #	Carbon PTFE	1	13	Handle Cover	PVC	1
7	Stem Packing #	Carbon PTFE	1	# Parts included in repair kits			

SIZE	D	E	H	L	W	I	Cv	Torque, in-lbs	Weight, lbs
1/8"	0.20	0.67	1.22	1.83	2.28	0.12	2	80	0.15
1/4"	0.20	0.67	1.22	1.83	2.28	0.12	2	80	0.20
3/8"	0.28	0.83	1.30	1.99	2.68	0.16	2.5	104	0.24
1/2"	0.35	0.98	1.65	2.38	3.07	0.20	5	130	0.42

Model BV2000
2000 PSI / WOG

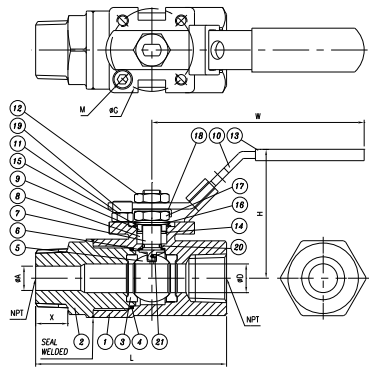


Dimensions & Performance Data

No.	Parts	BV2000SS	BV2000CS	No.	Parts	BV2000SS	BV2000CS
1	Body	CF8M	WCB	10	Handle Washer	SS304	SS304
2	End Cap	CF8M	WCB	11	Handle Nut	SS304	SS304
3	Seat #	Carbon TFM	Carbon TFM	12	Handle	SS304	Zinc Plated Steel
4	Ball	CF8M/SS316	CF8/SS304	13	Handle Cover	PVC	PVC
5	Gasket #	Graphite	Graphite	14	Stop Screw	SS304	Carbon Steel
6	Thrust Washer #	Carbon TFM	Carbon TFM	15	Nut	SS304	Carbon Steel
7	Stem Packing #	Graphite	Graphite	16	Packing Protector #	Carbon/PTFE	Carbon/PTFE
8	Stem	SS316	SS304	17	Anti-Static Device	SS316	SS304
9	Gland	SS304	SS304	18	Anti-Static Spring	SS301	SS301

SIZE	D	L	A	X	H	W	G	M	Cv	Torque, in-lbs	Weight, lbs
1/2"	0.59	3.11	0.45	0.55	2.24	5.31	1.42	M5	8	135	0.99
3/4"	0.79	3.50	0.59	0.61	2.50	5.31	1.42	M5	15	150	1.37
1"	0.98	4.23	0.75	0.69	2.80	6.50	1.65	M5	35	220	2.16
1 1/2"	1.50	5.26	1.26	0.75	3.56	6.89	1.97	M6	110	495	5.07
2"	1.97	6.06	1.50	0.79	4.09	6.89	1.97	M6	155	820	8.38

Model BV3000
3000 PSI / WOG

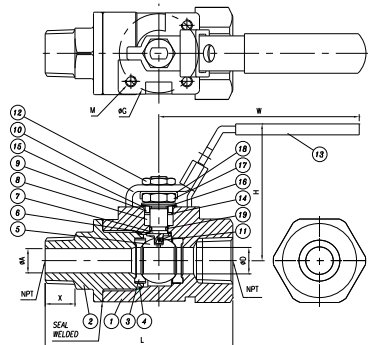


Dimensions & Performance Data

No.	Parts	BV3000SS	BV3000CS	No.	Parts	BV3000SS	BV3000CS
1	Body	CF8M	WCB	12	Handle Nut	SS304	SS304
2	End Cap	CF8M	WCB	13	Handle Cover	PVC	PVC
3	Seat #	DEVLON	DEVLON	14	Packing Protector #	Carbon/PTFE	Carbon/PTFE
4	Gasket #	Graphite	Graphite	15	Anti-Static Spring	SS301	SS301
5	Ball	CF8M/SS316	CF8/SS304	16	Belleville Washer	SS301	SS301
6	Thrust Washer #	PTFE	PTFE	17	Packing Nut	SS304	SS304
7	Stem	SS316	SS304	18	Nut Locker	SS304	SS304
8	Stem Packing #	Graphite	Graphite	19	Stop Screw	SS304	Carbon Steel
9	Gland	SS304	SS304	20	O-Ring #	Viton	Viton
10	Handle	SS304	Zinc Plated CS	21	Anti-Static Device	SS316	SS304
11	Nut	SS304	Carbon Steel	# Parts included in repair kits			

SIZE	D	L	A	X	H	W	G	M	Cv	Torque, in-lbs	Weight, lbs
1/2"	0.49	3.31	0.45	0.55	2.17	5.31	1.42	M5	8	150	1.06
3/4"	0.79	3.96	0.59	0.61	2.64	6.30	1.65	M5	15	267	2.38
1"	0.98	4.84	0.75	0.69	3.27	6.89	1.97	M6	35	553	3.97

Model BV6000
6000 PSI / WOG



Dimensions & Performance Data

No.	Parts	BV6000SS	BV6000CS	No.	Parts	BV6000SS	BV6000CS
1	Body	CF8M	WCB	11	Anti-Static Device	SS316	SS304
2	End Cap	CF8M	WCB	12	Handle Nut	SS304	SS304
3	Seat #	DEVLON	DEVLON	13	Handle Cover	PVC	PVC
4	Gasket #	Graphite	Graphite	14	Packing Protector #	Carbon/PTFE	Carbon/PTFE
5	Ball	CF8M/SS316	CF8/SS304	15	Anti-Static Spring	SS301	SS301
6	Thrust Washer #	PTFE	PTFE	16	Belleville Washer	SS301	SS301
7	Stem	SS316	SS304	17	Packing Nut	SS304	SS304
8	Stem Packing #	Graphite	Graphite	18	Nut Lock	SS304	SS304
9	Gland	SS304	SS304	19	O-Ring #	Viton	Viton
10	Handle	SS304	Zinc Plated CS	# Parts included in repair kits			

SIZE	D	L	A	X	H	W	G	M	Cv	Torque, in-lbs	Weight, lbs
1/2"	0.49	3.35	0.45	0.55	2.42	4.13	1.42	M5	8	300	1.50
3/4"	0.79	4.04	0.59	0.61	2.50	5.16	1.65	M5	15	400	2.76
1"	0.98	4.84	0.75	0.69	3.15	6.44	1.97	M6	35	860	4.87



Flo-Tite, Inc.
4815 West 5th St.
Lumberton, NC 28358

P. O. Box 1293
Lumberton, NC 28359
Website: www.flotite.com

Tel: (910) 738-8904
Fax: (910) 738-9112
E-mail: flotite@flotite.com

Due to continuous development & improvement of our product range, we reserve the right to alter the dimensions and technical data included in this brochure.

Printing Date 2017/08