

INOX STAINLESS
SERIES

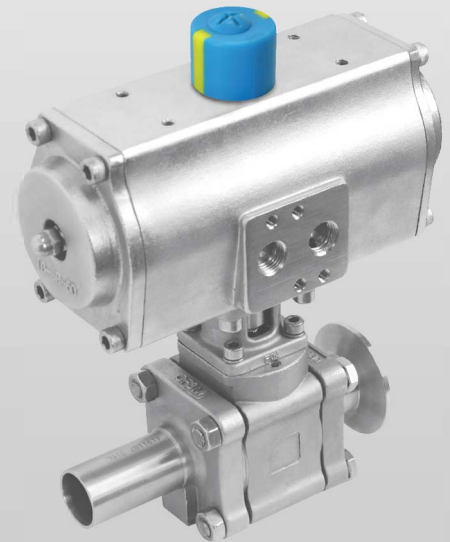
**Double Acting and Spring Return
Pneumatic Rack & Pinion Actuators**



Features:

- **Suitable for Highly Corrosive Environments**
- **Operates with Lubricated or Non-Lubricated Air**
- **Air supply Pressure: (30 to 145 psig) 2 to 10 Bar**
- **Operating Temperatures**
- **Standard: -4°F to 176°F (-20°C to 80°C)**
- **Low Temperature: -31°F to 176°F (-35°C to 80°C)**
- **High Temperature: +5°F to 302°F (-15°C to 150°C)**
- **Travel Adjustment: +/- 4 Degrees unidirectional Travel**
- **Extended Stops Optional**

**Torque Range at
80 PSIG
Air Pressure
Doubling Acting
11647 (In-lb)
Spring Return
5532 (In-lb)**



**The INOX Actuator Series is produced from 316 or 304
Stainless Steel and priced competitively with special
coated Aluminum Rack and Pinion actuators.**

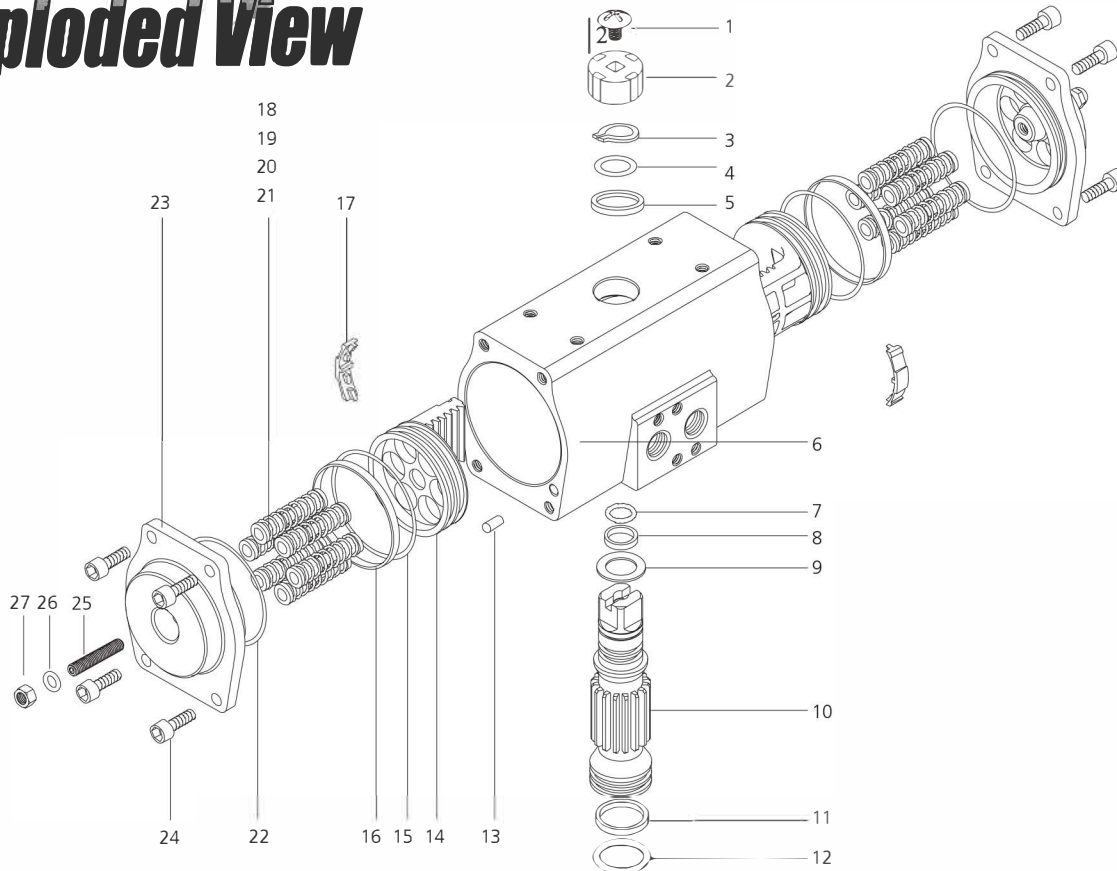


Scan me

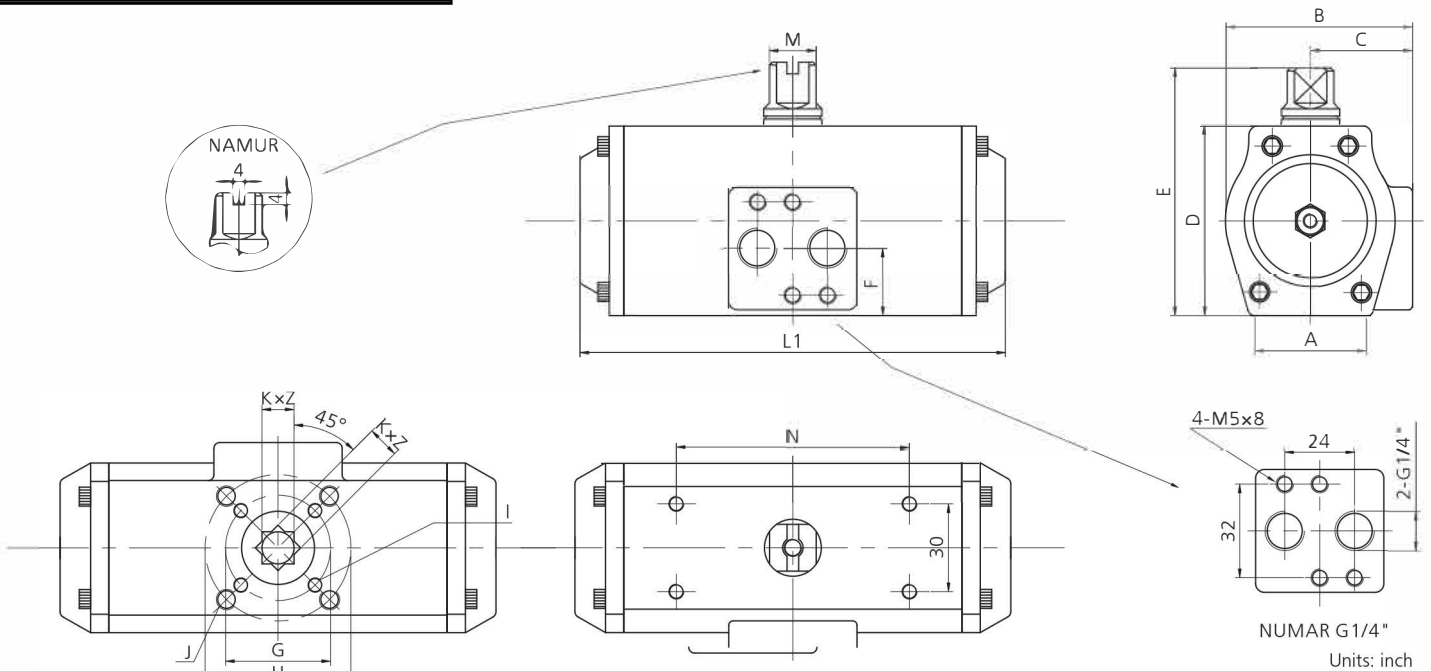
Materials of Construction

| No. | Description | Qty. | Standards Material |
|-----|-------------------------|------|--------------------|
| 1 | Indicator screw | 1 | Stainless steel |
| 2 | Indicator | 1 | Plastic (ABS) |
| 3 | Circlip | 1 | Stainless steel |
| 4 | Thrust washer | 1 | Stainless steel |
| 5 | Outside washer | 1 | Polyoxymethylene |
| 6 | Body | 1 | Stainless steel |
| 7 | O-ring (Pinion top) | 1 | Viton/NBR |
| 8 | Bearing (Pinion top) | 1 | Polyoxymethylene |
| 9 | Inside washer | 1 | Polyoxymethylene |
| 10 | Pinion | 1 | Stainless steel |
| 11 | Bearing (Pinion bottom) | 1 | Polyoxymethylene |
| 12 | O-ring (Pinion bottom) | 1 | NBR |
| 13 | Plugs | 2 | NBR |
| 14 | Pistons | 2 | Stainless steel |
| 15 | O-rings (Pistons) | 2 | NBR |
| 16 | Bearings (Pistons) | 2 | Polyoxymethylene |
| 17 | Guides (Pistons) | 2 | Nylon66 |
| 18 | Spring | * | Spring steel |
| 19 | Spring Retainer (L) | * | Nylon66 |
| 20 | Spring Retainer (R) | * | Nylon66 |
| 21 | Retainer Connector | * | Brass |
| 22 | O-rings (End-Caps) | 2 | NBR |
| 23 | End-Caps | 2 | Stainless steel |
| 24 | End-Cap Screws | 8 | Stainless steel |
| 25 | Adjust Screws | 2 | Stainless steel |
| 26 | O-rings (Adjust Screws) | 2 | NBR |
| 27 | Nuts (Adjust Screws) | 2 | Stainless steel |

Exploded View



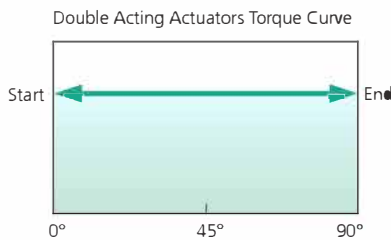
*** Available in CF8M 316SS or CF8 304SS ***



| Model | A | B | C | D | E | F | G | H | I | J | K | L1 | M | N | Z | Air Connection |
|--------|------|------|------|-------|-------|------|-----|-----|----------|----------|-------|-------|-------|-------|------|----------------|
| 45-SS | 1.65 | 2.52 | 1.38 | 2.56 | 3.35 | 0.91 | F04 | F05 | M5 x 8 | M6 x 10 | 0.433 | 5.79 | 0.630 | 3.15 | 0.55 | 1/4" NPT |
| 60-SS | 1.91 | 2.91 | 1.54 | 3.19 | 3.98 | 0.91 | | F05 | | M6 x 10 | 0.551 | 5.75 | 0.630 | 3.15 | 0.71 | 1/4" NPT |
| 85-SS | 2.60 | 3.98 | 2.05 | 4.25 | 5.04 | 0.94 | F05 | F07 | M6 x 10 | M8 x 13 | 0.669 | 7.80 | 0.630 | 3.15 | 0.83 | 1/4" NPT |
| 105-SS | 3.15 | 4.65 | 2.36 | 5.24 | 6.02 | 0.94 | | F07 | | M8 x 13 | 0.866 | 9.88 | 0.630 | 3.15 | 1.02 | 1/4" NPT |
| 125-SS | 3.94 | 5.43 | 2.72 | 6.11 | 7.28 | 1.10 | F07 | F10 | M8 x 13 | M10 x 16 | 0.866 | 9.53 | 0.866 | 5.118 | 1.02 | 1/4" NPT |
| 140-SS | 4.53 | 6.02 | 3.03 | 6.73 | 7.91 | 1.34 | F10 | F12 | M10 x 16 | M12 x 20 | 1.063 | 14.09 | 0.866 | 5.118 | 1.22 | 1/4" NPT |
| 160-SS | 5.20 | 6.85 | 3.43 | 7.76 | 8.94 | 1.54 | F10 | F12 | M10 x 16 | M12 x 20 | 1.063 | 12.80 | 0.866 | 5.118 | 1.22 | 1/4" NPT |
| 210-SS | 5.67 | 8.90 | 4.45 | 10.04 | 11.22 | 2.17 | | F14 | | M16 x 25 | 1.417 | 20.87 | 1.260 | 5.118 | 1.57 | 1/4" NPT |

Technical Data

Double Acting Actuators Output Torque (lbf-in)



| Model Style | Air pressure (Psi) | | | | | | | | |
|-------------|--------------------|------|------|------|-------|-------|-------|-------|-------|
| | 30 | 40 | 50 | 60 | 70 | 80 | 90 | 100 | 120 |
| DA45-SS | 53 | 67 | 87 | 107 | 120 | 133 | 160 | 178 | 214 |
| DA60-SS | 125 | 157 | 204 | 251 | 283 | 314 | 377 | 419 | 502 |
| DA85-SS | 272 | 340 | 443 | 545 | 614 | 682 | 818 | 910 | 1091 |
| DA105-SS | 582 | 727 | 946 | 1164 | 1309 | 1455 | 1746 | 1940 | 2328 |
| DA125-SS | 911 | 1132 | 1473 | 1814 | 2044 | 2265 | 2726 | 3027 | 3628 |
| DA140-SS | 1548 | 1938 | 2522 | 3106 | 3496 | 3885 | 4655 | 5172 | 6213 |
| DA160-SS | 2363 | 2956 | 3846 | 4735 | 5319 | 5912 | 7098 | 7883 | 9461 |
| DA210-SS | 4656 | 5824 | 7568 | 9311 | 10479 | 11647 | 13444 | 15527 | 18631 |

Installation of Springs for Spring Return Actuator

5 Springs

6 Springs

7 Springs

8 Springs

9 Springs

10 Springs

11 Springs

12 Springs

Even spring set is recommended for high cycle application. It is also feasible to insert an odd number of springs per side. By doing this more efficient actuator sizing can be achieved.

