



Kingtron Series Petrochemical Applications

THREE-PIECE CLASS 2500 FORGED STEEL BALL VALVES

Model: S336 **Size Range:** 1/4" - 2" **Temperature Range:** -20° ~ 400°F **Maximum Pressures:** 6000 MAWP/WOG



Kingtron Series
STANDARD PRODUCT NUMBER
S336-SS-DGG-L-***
S336-SS-DGG-L-***

FEATURES:

- Forged steel body construction secures Class 2500/6000 psi working pressure rating.
- LF2 valve body & end caps for low-temperature applications.
- Special design of extended socket weld end facilitates heat dissipation during welding. No prior disassembly of valve is required, therefore welding installation process is shortened.
- Use of body O-ring and body joint gasket double secures **NO LEAKAGE**.
- Live-loaded packing gland for self-adjustment of stem packing compression.
- Rugged lockable lever handles for safety and long service life.
- Body O-rings are placed ahead of the body cap threads, providing a tight seal and protection of threads from flow media.
- Gland bolts allow for easy packing adjustment without handle removal.
- Pressure equalizing seats & bottom-loaded blow-out proof stems.
- Vented ball equalizes pressure between the body cavity and the flow stream to prevent seat damage due to thermal cycling.
- Full compliance with ASME/ANSI B16.34 & EN12516-1.
- Socket weld ends comply with ANSI B16.11 & EN 12760.
- Tested according to API 598.

Material List:

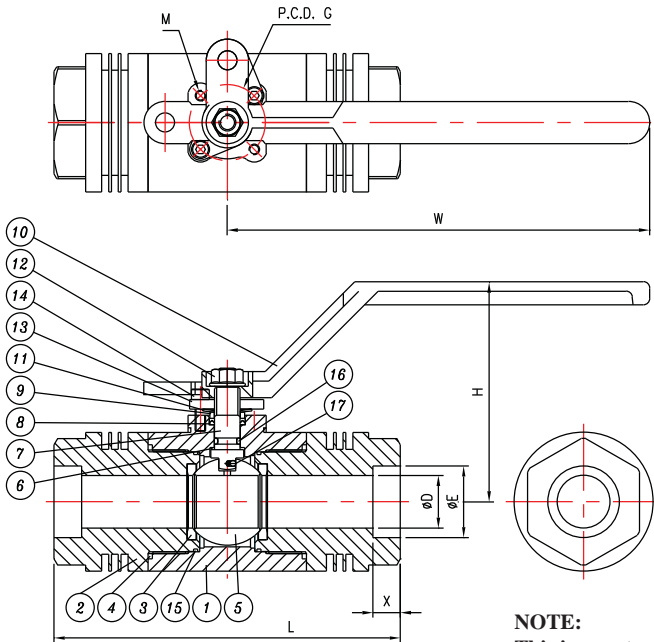
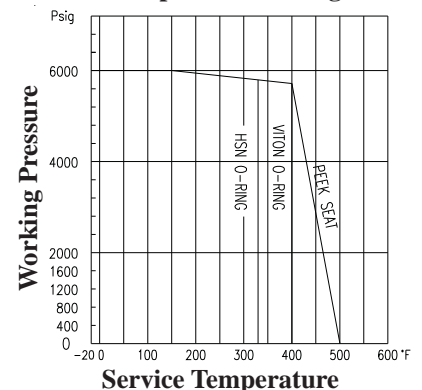
NO.	PARTS	S336-LF2	S336-A105	QTY
1	Body	ASTM A350-LF2	ASTM A105	1
2	End Cap	ASTM A350-LF2	ASTM A105	1
3	Seats #	PEEK	PEEK	2
4	Gaskets #	PTFE	PTFE	2
5	Ball	ASTM A351-CF8M/316	ASTM A351-CF8M/316	1
6	Thrust Washer #	PEEK	PEEK	1
7	Stem	ASTM A276-316	ASTM A276-316	1
8	Stem Packings #	PTFE	PTFE	set
9	Gland	AISI 304	AISI 304	1
10	Handle	Carbon Steel	Carbon Steel	1
11	Disc Washer	AISI 301	AISI 301	1
12	Handle Nut	Carbon Steel	Carbon Steel	1
13	Gland Flange	Carbon Steel	Carbon Steel	1
14	Gland Bolts	AISI 304	AISI 304	2
15	Body O-Rings #	VITON	VITON	2
16	Stem O-Ring #	VITON	VITON	1
17	Anti-Static	Stainless Steel	Stainless Steel	1

Parts included in the repair kits

OPTIONS:

- 17-4PH (ASTM A564 Type 630) Stem.
- F: Fire-safe per API 607, including graphite gasket, graphite stem packing, & post-fire metal-to-metal seal.
- HSN (HNBR) stem O-ring & body O-ring, PTFE body O-ring.
- Carbon 25% filled PTFE thrust washer, stem packing and gasket.

Pressure-Temperature Ratings



NOTE:
This is a custom order item. Consult factory for price and availability.

DIMENSIONS:

SIZE	D		E		G		H		L		M	W		X		Torque In-Lb	
	in	DN	in	mm	in	mm	in	mm	in	mm		in	mm	in	mm		
1/4"	8	0.37	9.5	0.56	14.2	1.42	36	3.15	80	4.61	117	M5	6.30	160	0.39	10	283
3/8"	10	0.37	9.5	0.69	17.6	1.42	36	3.15	80	4.61	117	M5	6.30	160	0.39	10	283
1/2"	15	0.49	12.5	0.86	21.8	1.42	36	3.15	80	4.61	117	M5	6.30	160	0.39	10	339
3/4"	20	0.79	20	1.07	27.2	1.42	36	3.90	99	5.99	152	M5	7.87	200	0.51	13	705
1"	25	0.98	25	1.33	33.9	1.42	36	4.09	104	6.46	164	M5	7.87	200	0.51	13	1137
1-1/2"	40	1.50	38	1.92	48.8	1.97	50	5.03	128	7.87	200	M6	9.84	250	0.51	13	2417
2"	50	1.50	38	2.41	61.2	1.97	50	5.03	128	8.07	205	M6	9.84	250	0.64	16.2	2550



Kingtron Series Petrochemical Industries

THREE-PIECE CLASS 2500 FORGED STEEL BALL VALVES

Model: ST336 **Size Range:** 1/4" ~ 2" **Temperature Range:** -20° ~ 400°F **Maximum Pressures:** 6000 MAWP/WOG

FEATURES:

- Forged steel body construction secures Class 2500/6000 psi working pressure rating.
- LF2 valve body & end caps for low-temperature applications.
- Special design of extended socket weld end facilitates heat dissipation during welding. No prior disassembly of valve is required, therefore welding installation process is shortened.
- Use of body O-ring and body joint gasket double secures **NO LEAKAGE**.
- Live-loaded packing gland for self-adjustment of stem packing compression.
- Rugged lockable lever handles for safety and long service life.
- Body O-rings are placed ahead of the body cap threads, providing a tight seal and protection of threads from flow media.
- Gland bolts allow for easy packing adjustment without handle removal.
- Pressure equalizing seats & bottom-loaded blow-out proof stems.
- Vented ball equalizes pressure between the body cavity and the flow stream to prevent seat damage due to thermal cycling.
- Full compliance with ASME/ANSI B16.34 & EN12516-1.
- Socket weld ends comply with ANSI B16.11 & EN 12760.
- NPT threaded ends comply with ANSI B1.20.1
- Tested according to API 598.



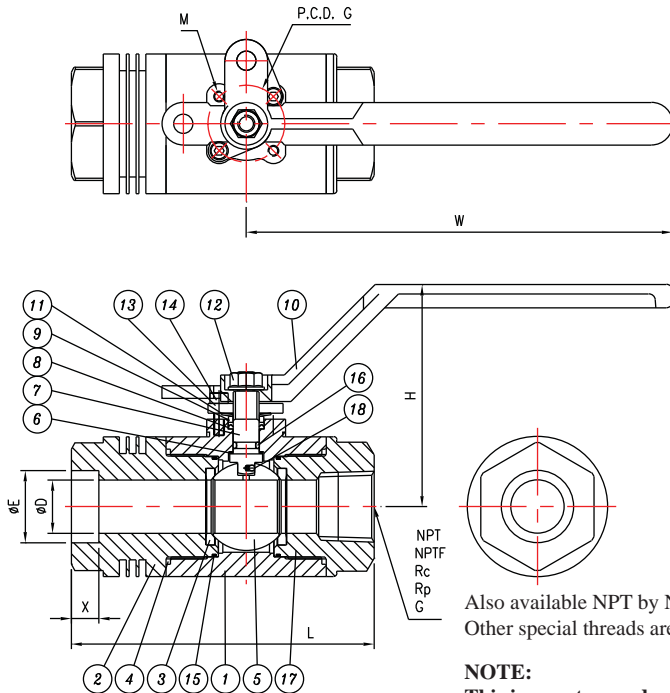
Material List:

NO.	PARTS	ST336-LF2	S336-A105	QTY
1	Body	ASTM A350-LF2	ASTM A105	1
2	SW End Cap	ASTM A350-LF2	ASTM A105	1
3	Seats #	PEEK	PEEK	2
4	Gaskets #	PTFE	PTFE	2
5	Ball	ASTMA351-CF8M/316	ASTMA351-CF8M/316	1
6	Thrust Washer #	PEEK	PEEK	1
7	Stem	ASTM A276-316	ASTM A276-316	1
8	Stem Packings #	PTFE	PTFE	set
9	Gland	AISI 304	AISI 304	1
10	Handle	Carbon Steel	Carbon Steel	1
11	Disc Washer	AISI 301	AISI 301	1
12	Handle Nut	Carbon Steel	Carbon Steel	1
13	Gland Flange	Carbon Steel	Carbon Steel	1
14	Gland Bolts	AISI 304	AISI 304	2
15	Body O-Rings #	VITON	VITON	2
16	Stem O-Ring #	VITON	VITON	1
17	NPT End Cap	ASTM A352-LCC	ASTM A216-WCB	1
18	Anti-Static	Stainless Steel	Stainless Steel	1

OPTIONS:

- 17-4PH (ASTM A564 Type 630) Stem.
- F: Fire-safe per API 607, including graphite gasket, graphite stem packing, & post-fire metal-to-metal seal.
- HSN (HNBR) stem O-ring & body O-ring, PTFE body O-ring.
- Carbon 25% filled PTFE thrust washer, stem packing and gasket.

Parts included in the repair kits



Also available NPT by NPT model no. T336
Other special threads are also available.

NOTE:
This is a custom order item. Consult factory for price and availability.

DIMENSIONS:

SIZE		D		E		G		H		L		M	W		X		Torque In-Lb
in	DN	in	mm	in	mm	in	mm	in	mm	in	mm		in	mm	in	mm	
1/4"	8	0.37	9.5	0.56	14.2	1.42	36	3.15	80	3.96	101	M5	6.30	160	0.39	10	283
3/8"	10	0.37	9.5	0.69	17.6	1.42	36	3.15	80	3.96	101	M5	6.30	160	0.39	10	283
1/2"	15	0.49	12.5	0.86	21.8	1.42	36	3.15	80	4.17	106	M5	6.30	160	0.39	10	339
3/4"	20	0.79	20	1.07	27.2	1.42	36	3.90	99	5.12	130	M5	7.87	200	0.51	13	705
1"	25	0.98	25	1.33	33.9	1.42	36	4.09	104	5.59	142	M5	7.87	200	0.51	13	1137
1-1/2"	40	1.50	38	1.92	48.8	1.97	50	5.03	128	6.73	171	M6	9.84	250	0.51	13	2417
2"	50	1.50	38	2.41	61.2	1.97	50	5.03	128	7.09	180	M6	9.84	250	0.64	16.2	2550

Pressure-Temperature Ratings

