



Full Port Brass - Commercial Ball Valves

RB SERIES

Model: T91-BZ
T92-BZ

**1/4"-4" Full Port
Hot Forged Brass
Ball Valves**



Quality:

- 24h 100% seal test guaranteed
- Dual sealing system allows valve to be operated in either direction making installation easier
- No metal-to-metal moving parts
- Handle clearly shows ball position
- Silicon-free lubricant on all seals
- Chrome plated brass ball for longer life
- Travel stops on body to avoid stresses at stem
- Certificated by CSA International, the widely recognized and respected independent certification organization for public health safety

Body:

- Hot forged sand blasted, unplated brass body and cap sealed with Loctite or equivalent thread sealant
- Finest brass according to EN 12165 and EN12164 (formerly DIN 17660 and UNI 5705-65) specifications

Stem:

- Blowout-proof nickel plated brass stem
- Pure virgin PTFE adjustable packing gland and reinforced washer for lower torque and easy maintenance
- Triple stem seals in size over 2"

Seals:

- Glass filled pure PTFE self-lubricating seats with flexible -lip design



Threads:

- NPT taper ANSI B1.20.1 female by female threads

Flow:

- Full port to DIN 3357 for maximum flow

Handle:

- Carbon steel handle with thick PVC dip coating. Handle coating offers both thermal and electrical protection
- Handle removable with valve in service

Working Pressure:

- 600 PSI up to 2", 450 PSI over 2"
- non-shock cold working pressure
- 150 WSP steam rated

Working Temperature:

- -40°F/+366°F Warning: freezing of the fluid in the installation may severely damage the valve

Options up to 2":

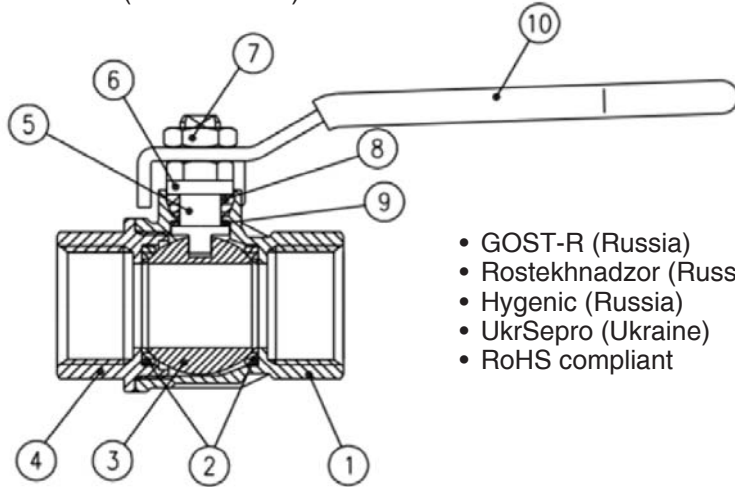
- Stem extension
- Lead free for safe drinking water (0.25% or less Pb)
- T-handle
- AISI 430 stainless steel handle
- Oval lockable handle up to 2", round over 2"
- Patented locking device for valves up to 4"
- Male by female threads up to 4"

Model:

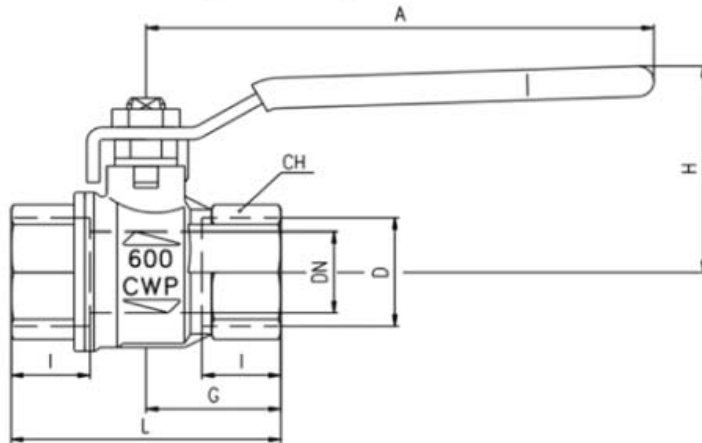
T91-BZ chrome plated ball/stem
T92-BZ 316SS/CF8M ball/stem

Approved by or in compliance with:

- CSA International (United States, Canada)
- Canada Underwriters Laboratories (Canada)
- Factory Mutual (United States)
- Underwriters Laboratories (United States)
- Certified by CSA International for Drinking Water in some states (NSF/ANSI 61)



- GOST-R (Russia)
- Rostekhnadzor (Russia)
- Hygenic (Russia)
- UkrSepro (Ukraine)
- RoHS compliant



DN shows the nominal flow diameter. Actual flow diameter complies with full port DIN 3357 part 4. Stem configuration of valves over 2" is slightly different. Ask for details at our Service Center

Model:
T91-BZ chrome plated ball/stem
T92-BZ 316SS/CF8M ball/stem

Note: Approvals apply to specific configurations only

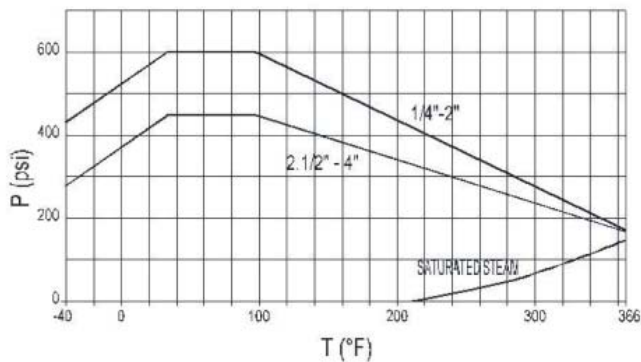
No.	Parts Description	Qty	Material
1	Unplated Body	1	CW617N *
2	Seat	2	PTFE glass filled 5-15%
3	Chrome Plated Ball	1	CW617N *
4	Unplated End Cap	1	CW617N *
5	Nickel Plated Stem Packing Gland Design	1	CW617N *
6	Nickel Plated Gland Nut	1	CW617N *
7	Nut	1	CB4FF
8	Packing Gland Seal	1	PTFE
9	Washer	1	PTFE carbon filled 25%
10	Yellow PVC Coated Steel Handle	1	DD11

* The material consists mainly of 59% copper 39% zinc with a 2% lead

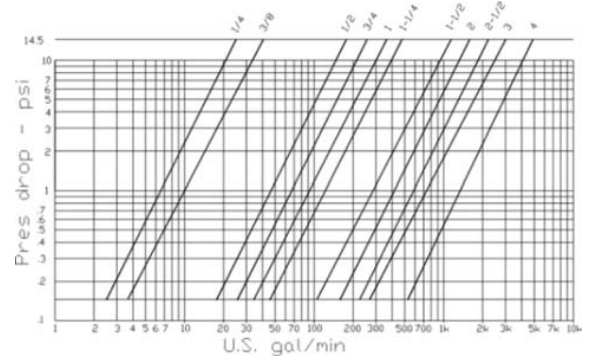
SIZE	DN	I	L	G	A	H	CH
1/4"	0.314	0.472	1.771	0.885	3.228	1.563	0.787
3/8"	0.393	0.472	1.771	0.885	3.228	1.563	0.787
1/2"	0.590	0.610	2.322	1.161	3.937	1.695	0.984
3/4"	0.787	0.669	2.519	1.259	4.724	1.988	1.220
1"	0.984	0.826	3.188	1.594	4.724	2.153	1.574
1 1/4"	1.259	0.905	3.661	1.830	6.220	2.988	1.929
1 1/2"	1.574	0.905	4.015	2.007	6.220	3.236	2.125
2"	1.968	1.043	4.763	2.381	6.220	3.500	2.696
2-1/2"	2.559	1.260	6.141	3.070	10.04	5.196	3.346
3"	3.149	1.377	6.968	3.484	10.04	5.511	3.897
4"	3.937	1.633	8.504	4.252	10.04	6.062	4.921

Ask for additional information on the whole range of our valves and consult with your supplier for special applications.

Pressure-Temperature Chart



Pressure Drop Chart



Optional Features:

- Lead Free
- Locking Handle
- Solder Ends
- Oval handle



Flo-Tite, Inc.
 4815 West 5th St.
 Lumberton, NC 28358

P. O. Box 1293
 Lumberton, NC 28359
 Website: www.flotite.com

Tel: (910) 738-8904
 Fax: (910) 738-9112
 E-mail: flotite@flotite.com