



## Two Piece Control Valve - NPT



### Control Set Series

Model: #DM V60-SS

Two Piece Body

Full Port - 60 Degree V Ball

Material:

316SS-CF8M

Size Range:

Sizes 1/2"-2"

Pressure Rating:

1000 WOG

Temperature Range:

-20 °F - 450 °F



Control Set Series  
STANDARD PRODUCT NUMBER  
**DMV60-SS-SRR-N**

### Easy Access Packing Gland

### Design Features

- Direct Mount
- ISO 5211
- Control Ball 60 Degree V
- S-Tek Seats 50/50
- Position Locking Handle
- Pressure Rating: 1000 WOG
- Temperature Range: -20° F - 450° F
- Adjustable "Live-Loaded" Stem Seal

**Bolted Design** provides easy adjustment of stem packing even when "Direct Mounting" of an actuator is used.



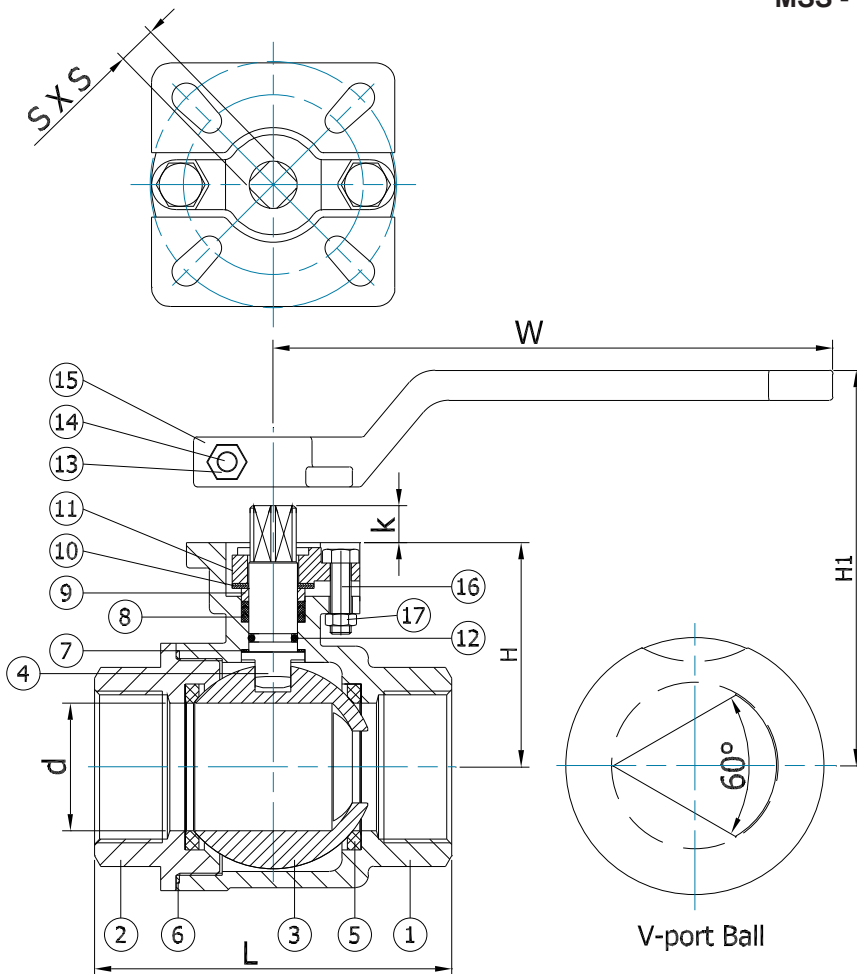
### Economical Flow Control for Both Manual & Automated Designs

# Design and Technical Data

Standards  
ANSI/ASME - B16.11  
ISO - 5211  
MSS - SP25, SP72

Models  
Threaded DM V60-SS

## Bill of Materials



No.	Parts	S23-SS	Qty
1	Body	ASTM A351 CF8M	1
2	End Cap	ASTM A351 CF8M	1
3	Ball	SS316	1
4	Stem	SS316	1
5	Seats - S-TEK #	50% PTFE + SS316	2
6	Gasket #	RPTFE	1
7	Washer #	RPTFE	1
8	Packing #	RPTFE	1
9	Packing Follower	SS304	1
10	Belleville Washers	SS304	2
11	Packing Gland	CF8	1
12	O-Ring #	Viton	1
13	Handle Nut	SS304	1
14	Handle Bolt	SS304	1
15	Handle	SS304	1
16	Gland Bolts	SS304	2
17	Gland Nuts	SS304	2

# Parts included in repair kits



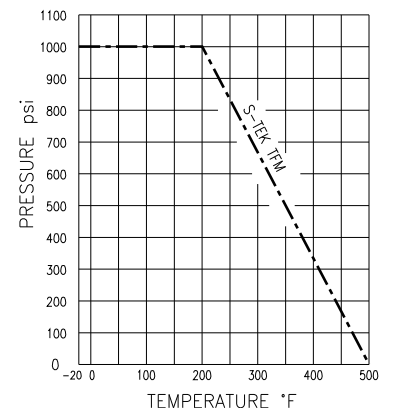
## Dimensions and Weights

**Steam Rating:**  
175 PSI

SIZE	d	H	H1	K	L	S	W	ISO-5211	Cv	Torque In-lb	Weight lbs
1/2"	0.59	1.97	2.76	0.39	2.44	0.354	4.72	F04 / F05	12.78	60	0.97
3/4"	0.79	2.17	3.07	0.39	2.87	0.354	5.39	F04 / F05	16.28	70	1.35
1"	0.98	2.20	3.23	0.47	3.34	0.433	5.39	F04 / F05	32.84	95	2.25
1 1/4"	1.26	2.64	3.46	0.47	3.85	0.433	7.36	F04 / F05	44.20	150	3.20
1 1/2"	1.50	3.07	3.66	0.59	4.33	0.551	7.36	F05 / F07	59.74	200	5.20
2"	1.97	3.27	4.06	0.59	4.72	0.551	8.46	F05 / F07	136.50	300	8.65

Leak Detection Window  
Prevents actuator damage in the unlikely event of stem leakage.

## Pressure/Temperature Chart



## Hi-Tek Stem Seal Design

Flo-Tite's Control-Set Series provides for an extended valve cycle life. The primary seal is a washer that fits firmly on the stem shoulder. The secondary seal, the back-up seal, is provided by an O-ring and a set of self-lubricating RPTFE Vee packing rings and is energized by Belleville washers. This design adjusts packing compression to compensate for wear, pressure, or temperature fluctuations even when "Direct-Mount" actuation and insulation are utilized.



Flo-Tite, Inc.  
4815 West 5th St.  
Lumberton, NC 28358

P. O. Box 1293  
Lumberton, NC 28359  
Website: www.flotite.com

Tel: (910) 738-8904  
Fax: (910) 738-9112  
E-mail: flotite@flotite.com

Due to continuous development & improvement of our product range, we reserve the right to alter the dimensions and technical data included in this brochure.