



2 PC Direct Mount 2000

DIRECT CONNECT SERIES

Models: DM 2000-SS
2PC Body
Full Port
2000 WOG / 150 WSP
316SS - CF8M
Sizes 1/2" - 3"
Optional Fire Safe Design

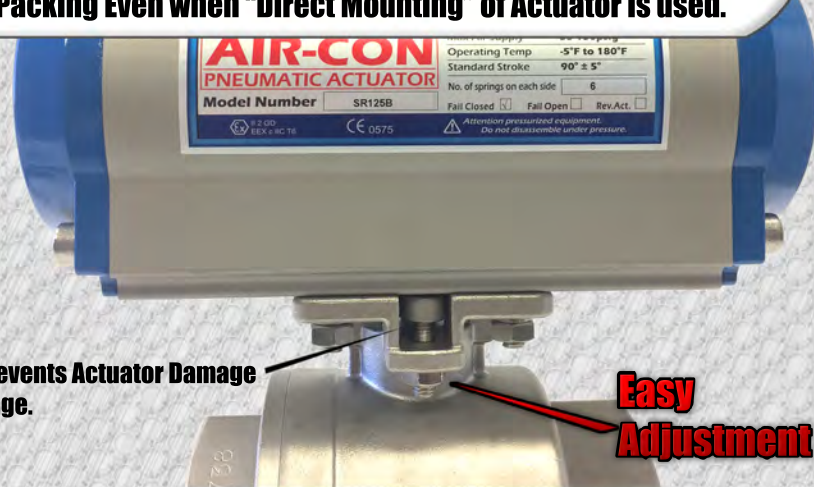


Easy Access Packing Gland

Bolted Packing Gland Design Provides Easy Adjustment of Stem Packing Even when "Direct Mounting" of Actuator is used.



Optional
30° & 60° VBall
Control Valve
S-TEK Seats
Model: DMV-2000



Stem Leak Detection Window Prevents Actuator Damage in The Event of Valve Stem Leakage.

Easy Adjustment



Design Features

- **Direct Mount - ISO 5211**
- **Anti Static Ground**
- **Temperature Range: -20° F - 450° F**
- **Adjustable "Live Loaded" Stem Seal**

Direct Connect Series
 STANDARD PRODUCT NUMBER
DM2000-SS-S7-RRR-N
DM2000-CS-S7-RRR-N

Economical Flow Control for Both Manual & Automation Designs

Handle Options

Lever Operator



Seat Options: RPTFE (R)
METAL (M)
S-TEK (S)

Multi-Position For Control



Design and Technical Data

Direct-Connect Series

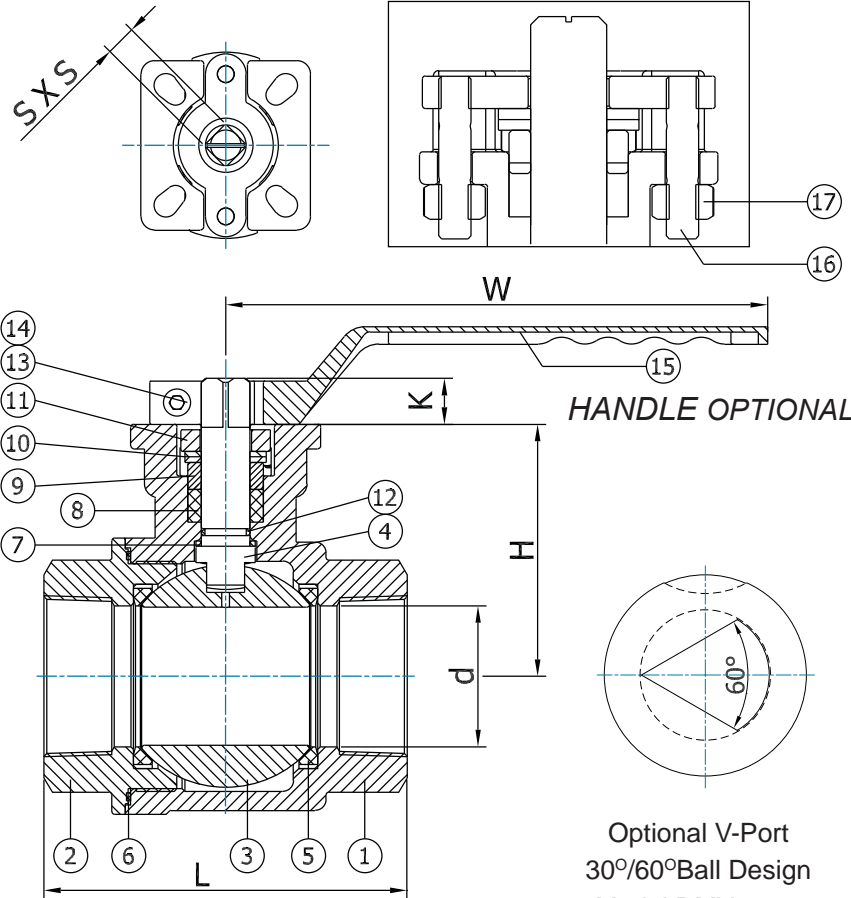
Standards
ANSI/ASME - B16.11
ISO - 5211
MSS - SP25, SP72

Models
Threaded DM-2000

Materials of Construction

No.	Parts	DM2000
1	Body	ASTM A351 CF8M
2	End Cap	ASTM A351 CF8M
3	Ball	SS316
4	Stem	SS316
5	Seat	# RPTFE / S-TEK
6	Gasket	# RPTFE / Graphite
7	Washer	# RPTFE
8	Packing	# RPTFE / Graphite
9	Packing Follower	SS304
10	Belleville Washer	SS304
11	Packing Gland	CF8
12	O-Ring	# Viton
13	Handle Nut	SS304
14	Handle Bolt	SS304
15	Handle OPTIONAL	SS304
16	Gland Bolt	SS304
17	Gland Nut	SS304

Optional Body Materials Available , Consult Factory
Repair Kits



Full Port Ball Design
Model DM2000

Optional V-Port
30°/60°Ball Design
Model DMV-2000

ISO 5211 Direct Mounting Pad Provides
Precise Shaft Alignment And Eliminates
the Need for Bracket and Coupler

Dimensions and Weights

SIZE	d	L	H	W	S	K	ISO5211	Cv	Torque In-lb	Weight lbs
1/2"	0.59	2.56	2.01	7.24	0.35	0.31	F04 / F05	38	90	2.0
3/4"	0.79	2.87	2.05	7.24	0.35	0.31	F04 / F05	66	90	2.0
1"	0.98	3.39	2.40	7.80	0.43	0.39	F04 / F05	144	110	2.7
1 1/2"	1.50	4.53	3.31	9.13	0.55	0.63	F05 / F07	275	180	7.4
2"	2.01	5.28	3.66	9.13	0.55	0.67	F05 / F07	480	355	10.7
3"	2.99	7.44	4.57	11.46	0.67	0.87	F07 / F10	1210	620	28.7

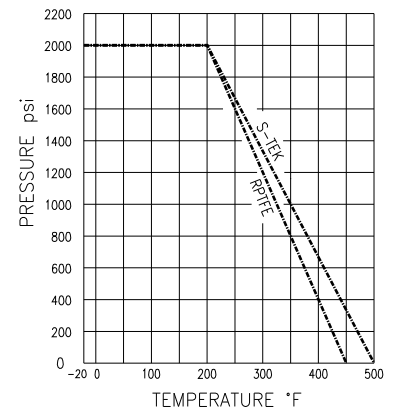
Size 2 1/2", Consult Factory

Hi-Tek Stem Seal Design

Flo-Tite's Direct Mount Series provides for an extended valve cycle life. The primary seal is a washer that fits firmly on the stem shoulder. The secondary seal (back-up) seal is provided by an O-ring and a set of self-lubricating RPTFE Vee packing rings, energized by bellville washers. This design adjusts packing compression to compensate for wear, pressure or temperature fluctuations even when "Direct-Mount" actuation and insulation are utilized.

ATTENTION
MAWP/WOG is a do-not exceed
pressure at normal ambient
NPT & Weld End Models

Pressure/Temperature Chart



Steam Rating 150 PSI WSP
Consult Factory



Flo-Tite, Inc.
4815 West 5th St.
Lumberton, NC 28358

P. O. Box 1293
Lumberton, NC 28359
Website: www.flotite.com

Tel: (910) 738-8904
Fax: (910) 738-9112
E-mail: flotite@flotite.com

Due to continuous development & improvement of our product range, we reserve the right to alter the dimensions and technical data included in this brochure