



## Three Piece STANDARD PORT DESIGN

### Pro-Max Series

#### Standard Bore

<b>Stainless Steel</b>	<b>Carbon Steel</b>
NPT - 361-SS-RGG-L	NPT - 361-CS-RGG-L
SW - 362-SS-RGG-L	SW - 362-CS-RGG-L

Pro-Max Series  
 STANDARD PRODUCT NUMBER  
**361-SS-1-RGG-L** (SS NPT)  
**362-SS-2-RGG-L** (SS SW)  
**361-CS-1-RGG-L** (CS NPT)  
**362-CS-2-RGG-L** (CS SW)



### Valve Features

- Three piece body, standard port design
- Fire safe API 607 sixth edition
- 1/2" to 2" sizes
- Threaded, socket-weld ends
- Body: CF8M / WCB
- RTFE Seats or TFM
- Pressure Rating:
  - 1/2"-1 1/4" 2000 psi
  - 1 1/2" - 2" 1500 psi
  - 150 PSI WSP

**Full port design available, consult factory**

#### Design Advantages

- ISO 5211 mounting pad provides for precise shaft alignment
- Improved seat material - extends cycle life and reduces torque
- Blow-out proof stem

- Fire safe to API 607 sixth edition
- Anti-static ground
- Fully contained body bolts
- Locking device standard
- Live-loaded stems

#### Applicable Standards

- Body wall thickness - ASME B16.34
- NPT and socket weld ends - ASME B16.11
- Basic dimensions - ASME B16.34

- **Testing Standards -** ASME B16.34, API 598
- NACE - MR-0175
- All valves are CE certified

**Designed for fire safe applications at economical prices**

# Design and Technical Data

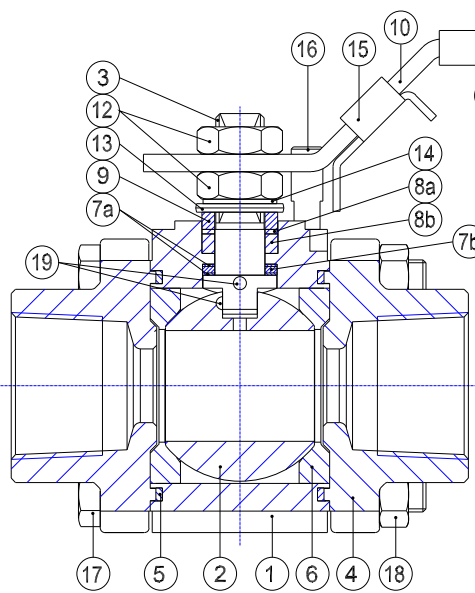
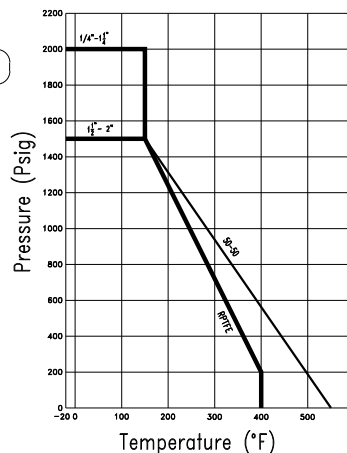
## Bill of Material

Item	Parts	Stainless Steel	Carbon Steel	Qty
1	Body	A351 CF8M	A216 WCB	1
2	Ball	A351 CF8M	A351 CF8M	1
3	Stem	SS316	SS316	1
4	Caps *	A351 CF8M	A216 WCB	2
5	Gaskets #	Graphite	Graphite	2
6	Seats #	RPTFE	RPTFE	2
7a	Thrust Washers #	RPTFE	RPTFE	2
7b	Thrust Washer #	Graphite	Graphite	1
8a	Stem Packing #	RPTFE	RPTFE	1
8b	Stem Packings #	Graphite	Graphite	set
9	Follower	SS304	SS304	1
10	Handle	SS304	SS304	1
11	Handle Cover	Plastic	Plastic	1
12	Thin Nuts	SS304	SS304	2
13	Disc Washers	SS301	SS301	2
14	Lock Washer	SS304	SS304	1
15	Locking Pad	SS304	SS304	1
16	Set Screw	SS304	SS304	1
17	Bolt	A193 B8M	A193 B7M	4
18	Nut	A194 8M	A194 2HM	4
19	Anti-Statics	SS316	SS316	2

\* welding end cap material A351 CF3M  
# Parts included in repair kits

# Pro - Max Series

## Pressure/Temperature Chart



**Steam rating:**  
150 PSI WSP

**Vacuum service:**  
to 25 torr

## 360 Series

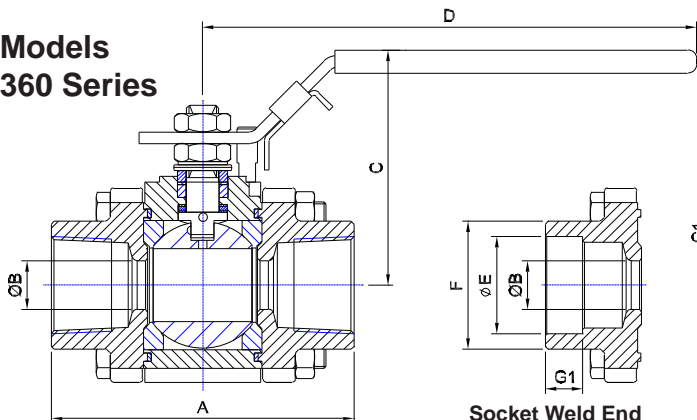
All valves are tested in accordance with MSS-SP 72.

Threaded end connections meet ASME/ANSI B1.20.1 NPT.

Socket weld end connections meet ASME/ANSI B16.11

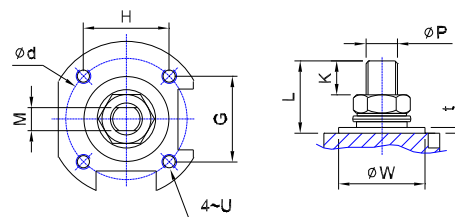
360 Series valves have CE Marking

## Models 360 Series



Socket Weld End

## 360 Series Mounting Dimensions



**IMPORTANT:** Mounting dimensions are for estimating purposes only. Consult factory before manufacturing bracket.

## Dimensions and Weights

SIZE	A	B	C	CI	d	D	E	F	G	G1	H	K	L	M	P	t	U	W	Weight Lbs	Torque in-lb	Cv	ISO Pattern
1/4"	2.55	0.39	2.47	1.13	1.42	5.23	0.56	1.16	1.00	0.39	1.00	0.26	0.34	0.250	0.37	0.02	#10-24UNC	0.98	1.58	48	8	F03
3/8"	2.55	0.39	2.47	1.13	1.42	5.23	0.69	1.16	1.00	0.39	1.00	0.26	0.34	0.250	0.37	0.02	#10-24UNC	0.98	1.54	48	8	F03
1/2"	2.55	0.39	2.47	1.13	1.42	5.23	0.85	1.16	1.00	0.39	1.00	0.26	0.34	0.250	0.37	0.02	#10-24UNC	0.98	1.5	48	8	F03
3/4"	2.85	0.59	2.72	1.14	1.42	5.23	1.07	1.18	1.00	0.51	1.00	0.31	0.65	0.250	0.37	0.08	#10-24UNC	0.98	2.3	65	13	F03
1"	3.36	0.79	2.89	1.30	1.42	5.23	1.33	1.42	1.00	0.51	1.00	0.35	0.70	0.250	0.37	0.08	#10-24UNC	0.98	3.4	93	33	F03
1 1/4"	4.15	1.00	3.22	1.42	1.65	6.76	1.69	1.75	1.17	0.51	1.17	0.47	1.00	0.315	0.44	0.08	#10-24UNC	1.18	5.1	139	46	F04
1 1/2"	4.37	1.26	3.42	1.57	1.65	6.76	1.92	2.13	1.17	0.51	1.17	0.46	1.02	0.315	0.44	0.08	#10-24UNC	1.18	6.7	195	85	F04
2"	5.01	1.50	3.84	1.86	1.97	8.04	2.41	2.36	1.39	0.63	1.39	0.59	1.25	0.374	0.56	0.09	1/4-20UNC	1.38	11.6	325	160	F05



Flo-Tite, Inc.  
4815 West 5th Street  
Lumberton, NC 28358

P. O. Box 1293  
Lumberton, NC 28359  
Website: [www.flotite.com](http://www.flotite.com)

Tel: (910) 738-8904  
Fax: (910) 738-9112  
E-mail: [flotite@flotite.com](mailto:flotite@flotite.com)