

# Multi-Choice Flanged End



**3 PC Design with Class 150 Flanged Ends**  
**3 PC Ideal for Easy-Maintenance**  
**Size Range 1/2" - 4"**  
**275 MAWP/WOG**  
**150 WSP**  
**316 - CF8M Stainless Steel**  
**A216 Carbon Steel**

**3" 340**  
**Flanged Ends**



**1" 340**  
**Flanged Ends**



Scan me

## Customize Valve To Your Unique Needs



Flanged x Tank Bottom



Flanged x Socket Weld



Flanged x Butt  
(weld in place)



Flanged x Socket  
(weld in place)



Flanged x Butt Weld



Flanged x Threaded

All Models  
 are available  
 with V-Port  
 Control Ball



**Standard Part IDs**

340-SS-4-FFF-L

-(SS option)

240-CS-4-FFF-L

-(CS option)

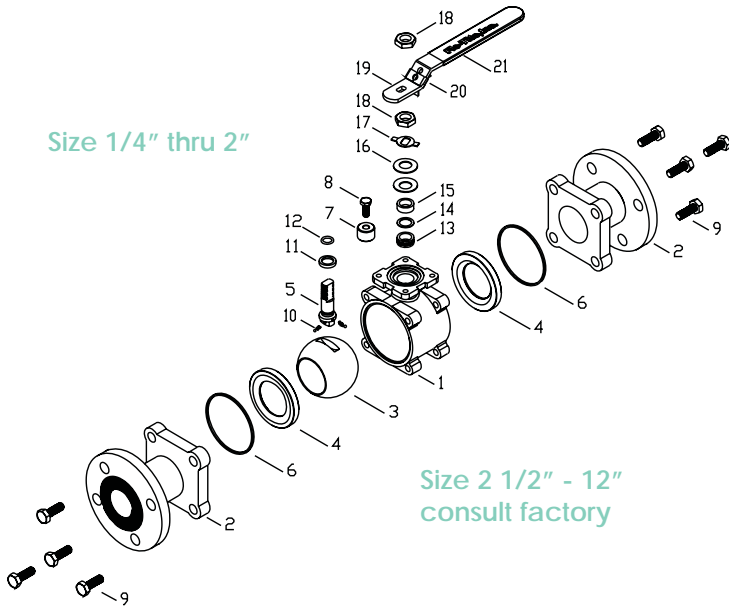
(We do not stock CS option)

**Flo-Tites**  
 Multi-Choice  
 Ball Valves  
 can be  
 fully  
 customized  
 to your  
 specific  
 needs.

# Design and Technical Data

## Model: 340-SS

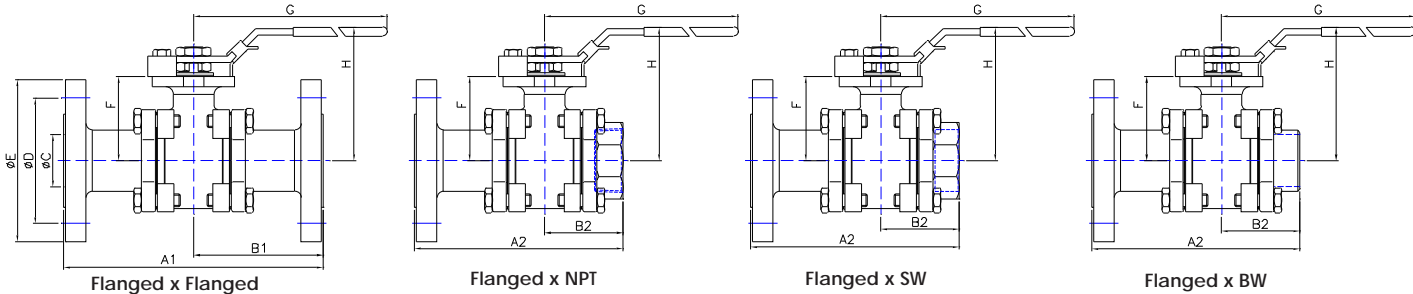
### BILL OF MATERIALS: Size 1/4" thru 2"



No.	Part Name	300 Series Stainless Steel	200 Series Carbon Steel	Qty
1	Body	ASTM A351 CF8M - 316	ASTM A216 Gr. WCB	1
2	Flanged End Cap	ASTM A 351 CF8M	ASTM A216 Gr. WCB	2
3	Ball	ASTM A351 CF8M - 316	ASTM A351 CF8M - 316	1
4	Seats *	Super-Tek TFM or RIFE	Super-Tek TFM or RIFE	2
5	Stem	ASTM A276 Type 316	ASTM A276 Type 316	1
6	Body Seals *	Super-Tek TFM or RIFE	Super-Tek TFM or RIFE	2
7	Body Bolts	SS304 / ASTM A193 B8	SS304 / ASTM A193 B7	8 / 12
8	Stem	ASTM A276 Type 316	ASTM A276 Type 316	1
9	Body Bolts	SS304 / ASTM A193 B8	SS304 / ASTM A193 B7	8 / 12
10	Anti-Static Devices	SS304	SS304	2
11	Thrust Bearings *	25% Carbon TFM	25% Carbon TFM	1
12	Guide Seal * #	Viton O-Ring	Viton O-Ring	1
13	Stem Packings	Super-Tek TFM or RIFE	Super-Tek TFM or RIFE	3
14	Thrust Bearings *	25% Carbon TFM	25% Carbon TFM	1
15	Packing Follower	SS304	SS304	1
16	Belleville Washers	SS301	SS301	2
17	Lock Washer	SS304	SS304	1
18	Thin Nuts	SS304	SS304	2
19	Lever Handle	SS304	SS304	1
20	Locking Device	SS304	SS304	1
21	Lever Sleeve	Plastic	Plastic	1

## Dimensions, Torque, Cv

\* Items included in repair kits # Check media compatibility



Size	A1	A2	B1	B2	C	D	E	F	G	H	Torque (in-lbs)	Cv
1/2"	4.39	3.61	2.19	1.42	0.59	2.38	3.50	1.54	6.50	2.60	50	22
3/4"	5.80	4.57	2.90	1.67	0.79	2.76	3.86	1.66	6.50	2.91	70	48
1"	5.97	4.80	2.99	1.81	0.98	3.13	4.25	2.05	7.87	3.43	95	90
1-1/2"	7.48	6.16	3.74	2.42	1.50	3.88	5.00	2.60	9.84	4.13	200	290
2"	8.50	7.05	4.25	2.80	2.00	4.74	5.98	2.95	9.84	4.53	340	442
2-1/2"	9.25	8.26	4.63	3.63	2.56	5.49	7.01	3.39	9.84	5.04	480	780
3"	10.10	9.03	5.05	3.98	2.99	6.00	7.48	3.72	15.35	6.42	780	1120
4"	13.90	11.48	6.95	4.53	4.00	7.50	9.02	4.35	15.35	7.09	1600	1825

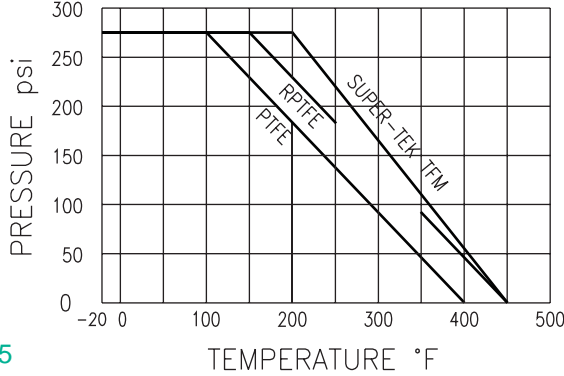
Steam Rating 150 PSI (WSP) Super-Tek (TFM) Seating provides 250 PSI available with SuperTek II Seats. for excellent service at elevated temperatures while providing low-operating valve torque. Consult Factory.

- Standards:
- ANSI B16.34
- ANSI B16.5
- ANSI B16.10
- ISO - 5211
- API 598
- MSS - SP25
- MSS - SP72

**ATTENTION**  
**MAWP/WOG is a do not exceed pressure at normal ambient NPT & Weld End Models**

Additional technical information can be found in our multi-choice series brochure, technical bulletin page 45

## Pressure/Temperature Chart



Flo-Tite, Inc.  
 4815 West 5th St.  
 Lumberton, NC 28358

P. O. Box 1293  
 Lumberton, NC 28359  
 Website: www.flotite.com

Tel: (910) 738-8904  
 Fax: (910) 738-9112  
 E-mail: flotite@flotite.com

Due to continuous development & improvement of our product range, we reserve the right to alter the dimensions and technical data included in this brochure.