



## Three Piece - SS Grooved Pipe Ends

# Econo-Groove Series

## Valve Features

- Three Piece Body, Full Port Design
- 1-1/2" to 6" Sizes
- Grooved Ends
- Body: CF8M, 316SS
- RPTFE Seats or TFM
- Pressure Rating:  
1000 WOG
- Temperature Range:  
(-20° F - 400° F)

6" Model  
390



End connections  
can be combined to  
meet special requests.

4" Model  
190



### Models:

190-SS-9-RTT-L - 4" & smaller  
390-SS-9-RTT-L - 6" size

### Econo-Groove Series

STANDARD PRODUCT NUMBER

190-SS-9-RTT-L (1½" - 4" SIZE)

390-SS-9-FFF-L (6" size only)

## Design Advantages

- ISO 5211 Direct Mounting Pad
- Three Piece Swing Out Design for easy maintenance
- Improved Seat Material - Extends cycle life and reduces torque
- Blow-out Proof Stem
- Locking Device standard for valves with handles

1 1/2" Model  
190



## Product - Markets

HVAC, Plumbing, Fire Protection, Mining, Waste Water, Oil Field, Power Plants, Military, Marine, and Chemical, and Process Industries

Grooved-End connections are used to quickly join mechanical pipes together.

# Design and Technical Data

## Econo-Groove Series

### Bill of Materials

Item	Parts	Material	Qty
1	Body	ASTMA351 CF8M	1
2	Caps	ASTMA351 CF8M	2
3	Ball	ASTMA351 CF8M	1
4	Ball Seats *	RPTFE	2
5	Joint Gaskets *	PTFE	2
6	Stem	SS316	1
7	Thrust Washer *	PTFE	1
8	Stem Packing *	PTFE	1
9	Gland Nut	SS316	1
10	Handle	SS316	1
11	Stem Washer	SS316	1
12	Stem Nut	SS316	1
13	Handle Cover	Plastic	1
14	Lock Device	SS316	1
15	Bolts	SS316	4
16	Spring Washers	SS316	4
17	Hex Nuts	SS316	4
18	Stop Pin	SS316	1

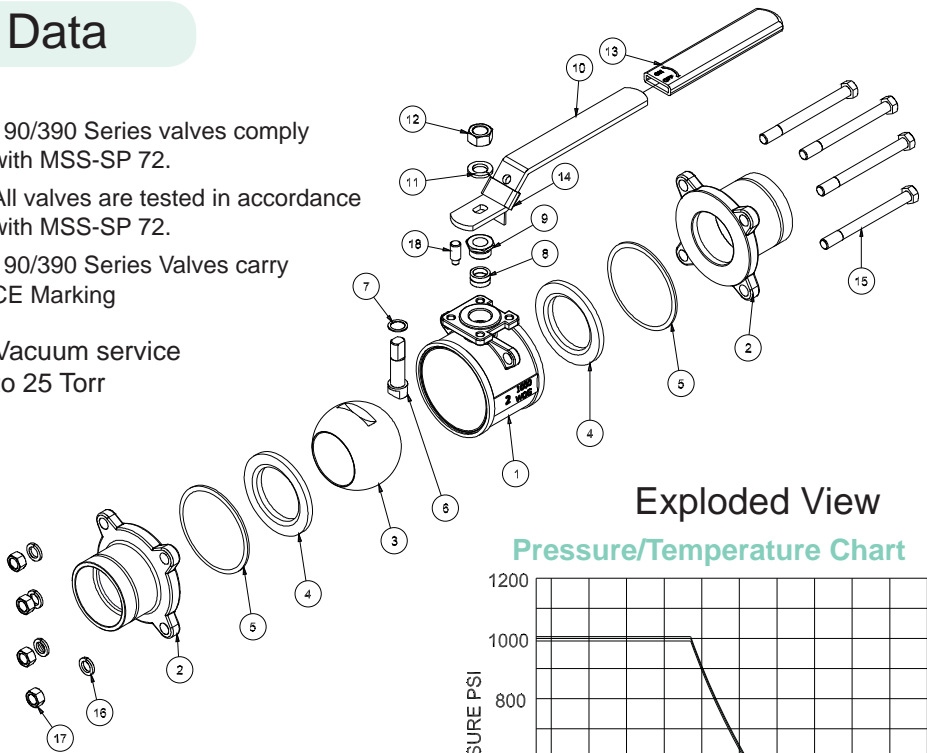
\*Items Included in the Repair Kit

190/390 Series valves comply with MSS-SP 72.

All valves are tested in accordance with MSS-SP 72.

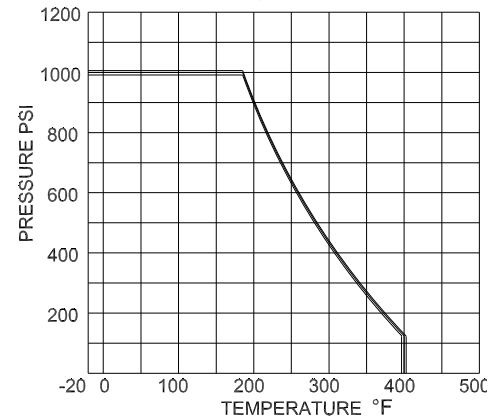
190/390 Series Valves carry CE Marking

Vacuum service to 25 Torr



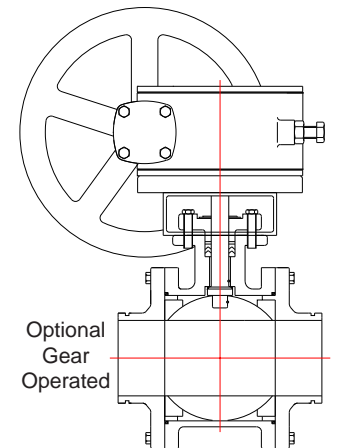
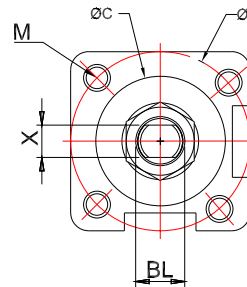
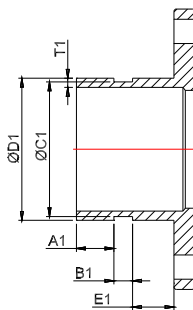
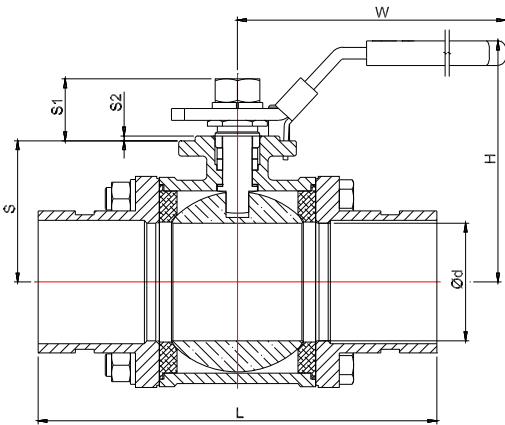
Exploded View

Pressure/Temperature Chart



### Models:

- 1 1/2" - 4" 190-SS-9-RTT-L
- 6" 390-SS-9-FFF-L



### Dimensions and Weights

SIZE	A	A1	B1	C	CI	d	D1	E1	BL	H	L	M	S	S1	S2	TI	W	X	Cv	Torque in-lb	Weight Lbs	ISO Pattern
1 1/2"	1.97	0.625	0.313	1.42	1.775	1.50	1.9	0.709	1/2"	3.70	6.30	M6	2.05	0.98	0.08	0.145	6.50	0.354	210	185	28.2	F05
2"	1.97	0.625	0.313	1.42	2.25	1.97	2.375	0.709	1/2"	4.06	6.89	M6	2.44	0.91	0.08	0.154	6.50	0.354	370	300	5.5	F05
2 1/2"	2.76	0.625	0.313	2.20	2.72	2.56	2.875	0.709	3/4"	5.24	7.48	M8	3.03	1.62	0.08	0.188	8.46	0.472	660	440	8.2	F07
3"	4.02	0.625	0.313	2.80	3.344	3.15	3.5	0.866	3/4"	5.67	8.66	M10	3.54	1.56	0.00	0.188	8.46	0.472	928	770	16.3	F10
4"	4.02	0.625	0.375	-	4.334	3.94	4.5	1.18	1"	6.97	10.6	M10	4.33	1.85	-	0.203	12.8	0.630	1710	1400	28.2	F10
6"	4.92	0.625	0.375	-	6.455	5.91	6.625	1.18	1.34	-	13.54	1/2-13unc	-	-	-	0.219	-	0.906	2100	4600	50.7	F12



Flo-Tite, Inc.  
4815 West 5th Street  
Lumberton, NC 28358

P. O. Box 1293  
Lumberton, NC 28359  
Website: [www.flotite.com](http://www.flotite.com)

Tel: (910) 738-8904  
Fax: (910) 738-9112  
E-mail: [flotite@flotite.com](mailto:flotite@flotite.com)

Due to continuous development & improvement of our product range, we reserve the right to alter the dimensions and technical data included in this brochure.