



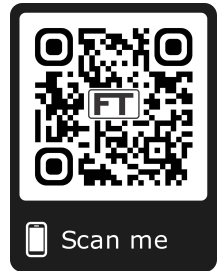
Two Piece Full Bore Flanged End Ball Valves

EC SERIES Economical Design

Models:

F15 Class 150 / F30 Class 300

ASTM A352 LCB & ASTM A216 WCB
Available in Carbon Steel upon request



ISO 5211
Mounting Holes



ANSI 150



ANSI 300

Pressure Rating:

Class 150/Class 300

Sizes Range:

2" - 6"

Temp. Rating:

Consult Factory

Economical Design Full Bore
STANDARD PRODUCT NUMBER

F15-LC-RGG-L
F30-LC-RGG-L

Larger sizes available,
consult factory

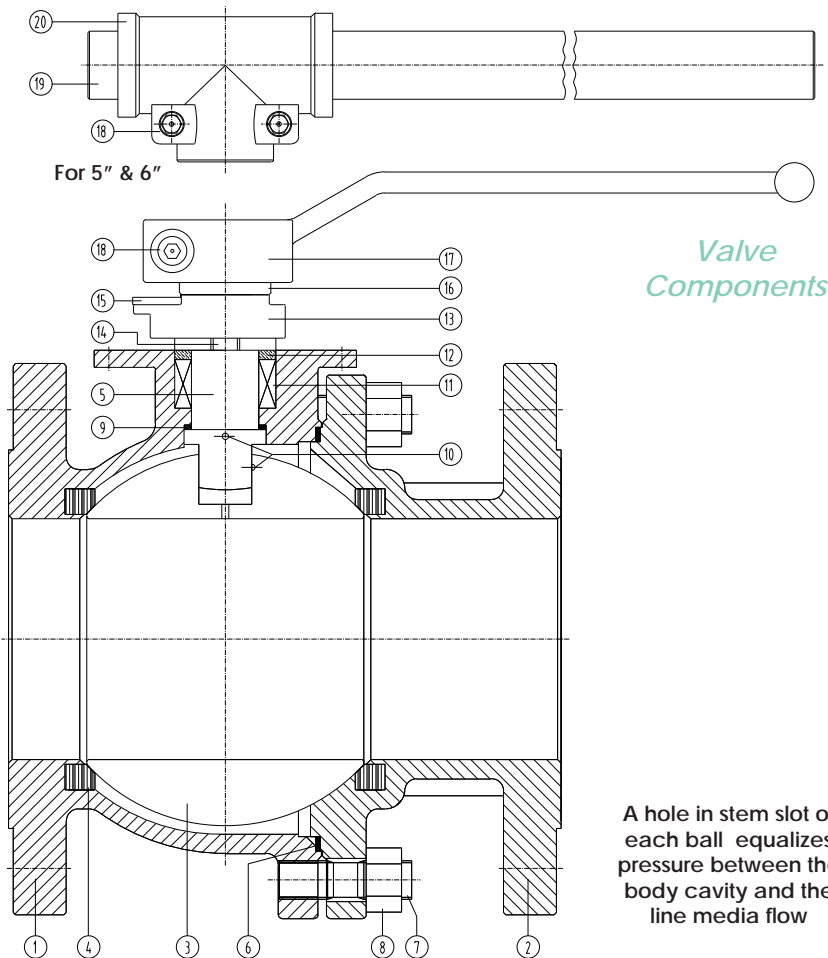
DESIGN FEATURES:

- Floating Ball Design
- Fire Safe Designed to API 607
- Spiral-Wound Body Gasket with Secondary Metal to Metal Seal
- Open and Close Locking Device for Position Safety Lockout Standard On Sizes 2"- 8"

- ISO 5211 Actuator Mounting Pad Standard
- Reinforced PTFE Seating
- Anti-Static Grounding Device
- Flat Shaft For Positive Visual Indication of Flow
- NACE MR0175 Complies

Ideal Design for Commercial Process and Petrochemical Applications

DESIGN & TECHNICAL DATA



Valve Components

A hole in stem slot of each ball equalizes pressure between the body cavity and the line media flow

Standard Valve Model Numbers:

ANSI Class 150 = F15-LC-RGG-L
ANSI Class 300 = F30-LC-RGG-L

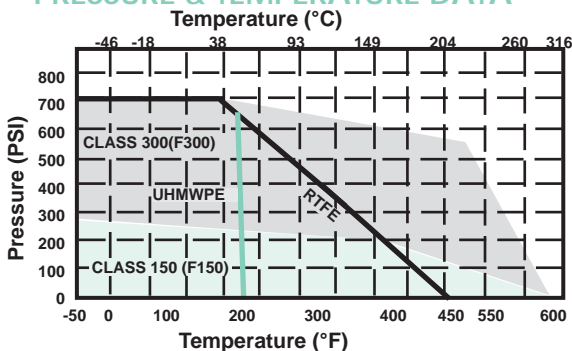
Upon Request:

ANSI Class 150 = F15-CS-RGG-L
ANSI Class 300 = F30-CS-RGG-L

If gear operator is required,

ANSI Class 150 = F15-CS-RGG-G
ANSI Class 300 = F30-CS-RGG-G

PRESSURE & TEMPERATURE DATA



Most additional seating materials are available, consult factory.

BILL OF MATERIALS:

No.	Name	Carbon Steel	Qty
1	Body (CS)	A352 LCB, A216 WCB	1
2	Cap (CS)	A352 LCB, A216 WCB	1
3	Ball	ASTM A351 CF8	1
4	Seats *	15% Carbon PTFE	2
5	Stem	SS304	1
6	Gasket *	SS304 / Graphite	1
7	Body Studs	ASTM A193 B7	set
8	Body Nuts	ASTM A194 2H	set
9	Thrust Washer *	RPTFE	1
10	Anti-Statics	SS316	2
11	Stem Packing *	Graphite	1
12	Packing Follower	ASTM A216 WCB	1
13	Packing Gland	ASTM A216 WCB	1
14	Gland Bolts	Steel	2
15	Travel Stopper	Gavanized Steel	1
16	Snap Ring	Steel	1
17	Handle	ASTM A216 WCB	1
18	Handle Bolt	Steel	1
19	Pipe	ASTM A216 WCB	1
20	Junction Head	ASTM A216 WCB	1

* items included in repair kits
In addition to LCB, WCB body material, Flo-Tite can also supply valves in LCC

SPECIFICATION STANDARDS:

Flanged End ANSI Class 150/300
Flanges ANSI B16.5
Face to Face ANSI B16.10
Shell/Wall ANSI B16.34

Design Standard API 6D

Federal Spec. MSS-SP-72
MSS-SP-55

Fire Safe Certified Valves Must Have Graphite Stem Packing to Comply With API 607

Meets NACE MR0175

ISO 9001

All Valves 100% Hydrostatically Pressure Tested in OPEN and CLOSED Positions.

Pressure Testing Standard API 6D

Class 150-Shell 425 PSI Seat (Air) 80 PSI
Class 300-Shell 1100 PSI Seat (Air) 80 PSI

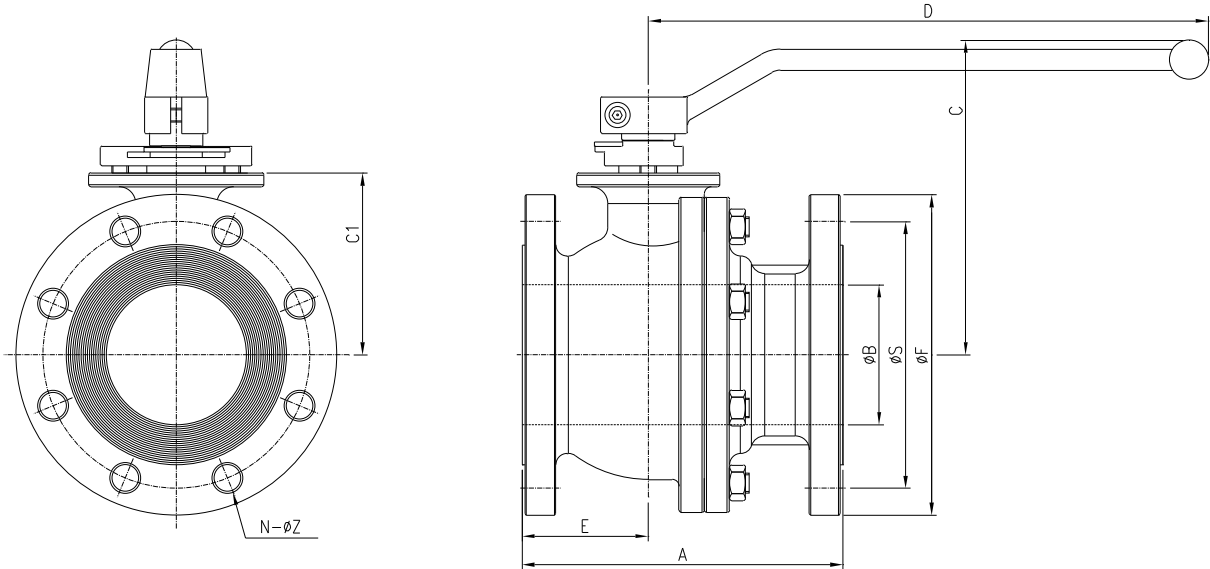
CE Certified

MTR - Material Test Reports Available



FLANGED TYPE BALL VALVE
FULL PORT MODELS F15/F30
DIMENSIONS

RATING
ANSI
150/300 lbs



MODEL F15 - ANSI CLASS 150 DIMENSIONS AND WEIGHTS:

Size	A	B	C	C1	D	E	F	N	S	T	Cv	Torque	Est. Weight
												in-lb	Lbs
2"	7.0	1.97	4.21	3.35	11.81	3.31	6.0	4	4.75	0.62	410	350	26
2.5"	7.5	2.56	5.59	3.90	13.78	3.43	7.0	4	5.50	0.75	780	680	35
3"	8.0	3.15	5.98	4.41	13.78	3.78	7.5	4	6.00	0.75	1120	1200	44
4"	9.0	3.94	7.01	5.12	15.75	3.54	9.0	8	7.50	0.75	1825	1900	61
5"	14.0	4.92	9.92	6.22	23.62	5.94	10.0	8	8.50	0.88	3260	3020	101
6"	15.5	5.91	10.71	7.24	23.62	6.77	11.0	8	9.50	0.88	4700	4800	140

For size 8" - 12", see Tech Bulletin Page 58-18

MODEL F30 - ANSI CLASS 300 DIMENSIONS AND WEIGHTS:

Size	A	B	C	C1	D	E	F	N	S	T	Cv	Torque	Est. Weight
												in-lb	Lbs
2"	8.50	1.97	4.93	3.35	13.78	3.78	6.50	8	5.00	0.75	430	380	33
3"	11.12	2.91	5.98	4.41	13.78	5.16	8.25	8	6.62	0.88	1090	1330	68
4"	12.00	3.94	7.01	5.12	15.75	5.23	10.00	8	7.88	0.88	1825	2100	98
6"	15.88	5.91	10.71	7.24	23.62	7.48	12.50	12	10.62	0.88	4700	5300	205

For size 8" - 12", see Tech Bulletin Page 58-18 / Models F150 & F300

NOTE:

- A variety of Special Alloys as well as Special Seating materials are available.
- Sizes 8" thru 24" available C/F
- Weatherproof gear operators are recommended for size 6" and larger valves.
- Consult factory for gear operator dimensions and information.

Customer/Project _____ Size _____	Ordering Code _____				F15										
	FLANGED TYPE BALL VALVE _____				F30										
Inq./P.O. No. _____	<table border="1"> <tr> <td>Series</td> <td>Size</td> <td>Part No.</td> <td>Material Trim Code</td> <td>Drawing No.</td> </tr> <tr> <td></td> <td></td> <td></td> <td></td> <td>F15/F30-14</td> </tr> </table>					Series	Size	Part No.	Material Trim Code	Drawing No.					F15/F30-14
Series						Size	Part No.	Material Trim Code	Drawing No.						
				F15/F30-14											
Order No. _____															
Certified Correct By _____ Date _____															

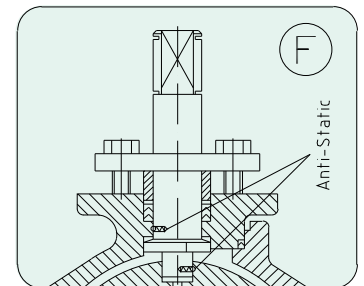
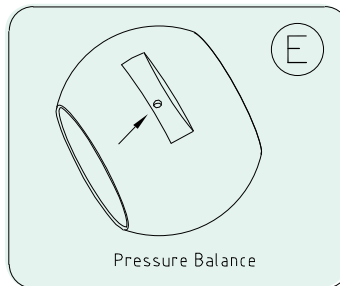
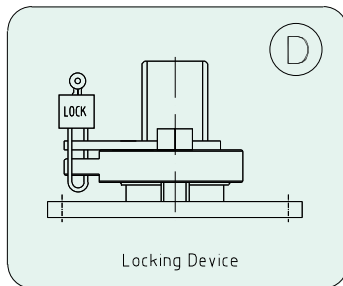
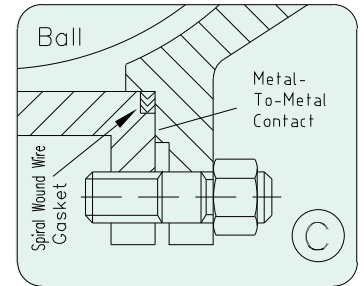
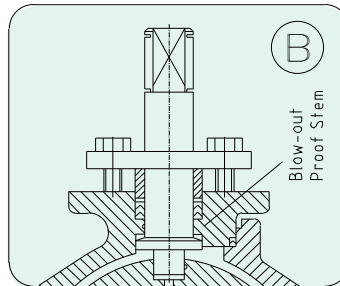
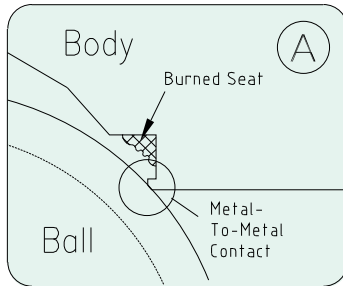
DESIGN & TECHNICAL DATA

IMPRESSIVE DESIGN FEATURES

- A. Secondary Metal Seating for Fire Safe Design
- D. Anti-tamper Lock for Open or Closed Position

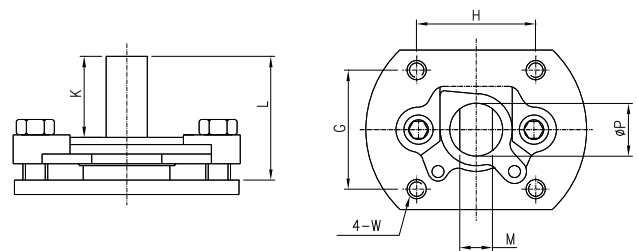
- B. Blow-Out Proof Stem
- E. Pressure Balance Hole

- C. Secondary Metal Body Seal
- F. Anti-Static Grounding



F15 MOUNTING DIMENSIONS:

Size	G	H	K	L	M	P	W	ISO
2"	1.95	1.95	0.87	1.57	0.551	0.87	5/16-18unc	F07
2.5"	1.95	1.95	1.10	2.17	0.669	0.94	5/16-18unc	F07
3"	1.95	1.95	1.10	2.17	0.669	0.94	5/16-18unc	F07
4"	2.84	2.84	1.24	2.36	0.748	1.10	1/2-13unc	F10
5"	3.48	3.48	1.32	2.56	1.063	1.57	1/2-13unc	F12
6"	3.48	3.48	1.32	2.56	1.063	1.57	1/2-13unc	F12



ISO 5211 - Bolting

All valves have integrally cast mounting pads for ease of mounting automation equipment. This design features four drilled and tapped holes as standard.

Actuator mounting dimensions are for cost estimating purpose only! Verify the mounting dimensions before manufacturing mounting hardware.

Other Sizes Consult Factory



Flo-Tite, Inc.
4815 West 5th St.
Lumberton, NC 28358

P. O. Box 1293
Lumberton, NC 28359
Website: www.flotite.com

Tel: (910) 738-8904
Fax: (910) 738-9112
E-mail: flotite@flotite.com

Due to continuous development & improvement of our product range, we reserve the right to alter the dimensions and technical data included in this brochure.