



Control Performance Series

This Versatile Valve is Designed for Superior Control Performance.

Model Number

Stainless Steel
CP-SF150-SS

Carbon Steel
CP-SF150-CS

Available:

Flanged or Optional Wafer
Standard Bore - Class 150
WCB x 304SS
CF8M x 316SS

Size Range:

3"-12"

Temperature Range:

Consult Factory

Pressure Rating:

Class 150



10" Size
Shown with
90° V-Ball



Control Performance Series
STANDARD PRODUCT NUMBER

CP-SF150-SS-RRG-L (Standard RRG)
CP-SF150-SS-RGG-L (Fire Safe RGG)
*C/F for stock. Product is ordered on specific
order bases.

Ideal Valve for:

Clean or Dirty Liquids, Gases, and Fibrous Suspension Applications

Features:

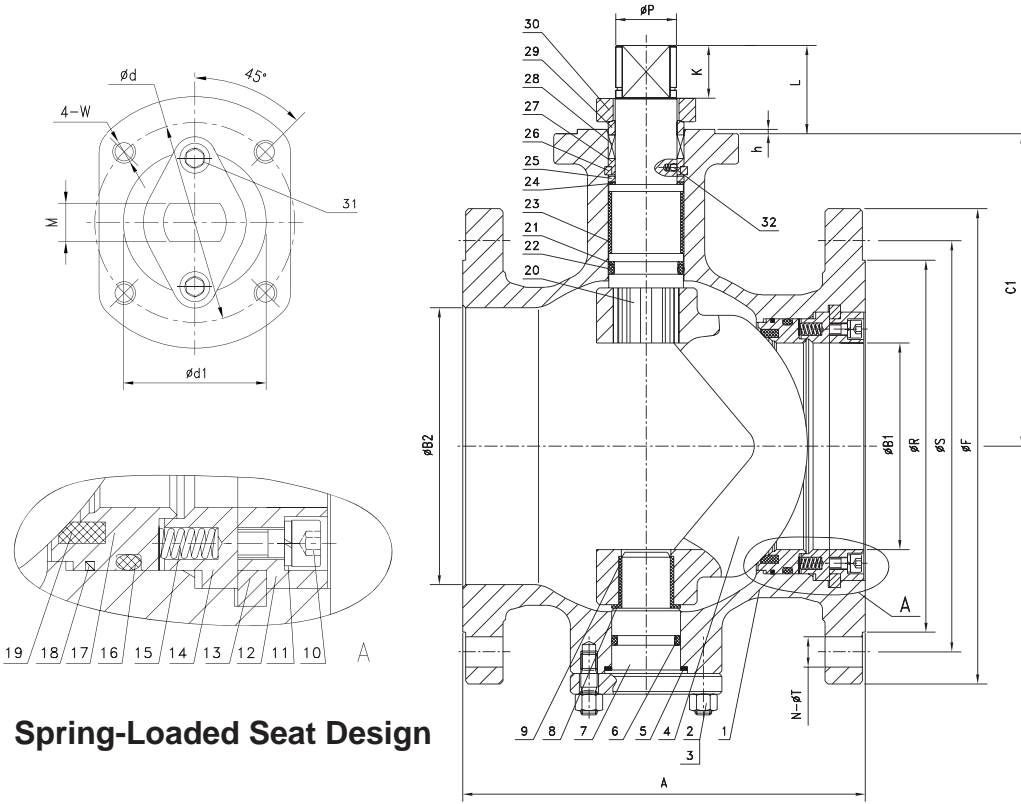
- Trunnion - Segmented Ball Design
- Spring-Loaded Seat
- RPTFE or Metal Seats
- Low Torque Single Seat Design
- CP - V Port Ball Valve
- Ensures Unsurpassed accuracy Over
- 90° Rotation
- Fast Accurate Response to Signal Changes

Optimize Process Performance with Flo-Tite's CP Series

www.flotite.com

Dimensions / Tech Data

Bill of Materials



No	Name	Stainless Steel	Carbon Steel	Qty
1	Body	ASTM A351 CF8M	ASTM A216 WCB	1
2	Studs	ASTM A193 B8M	ASTM A193 B7M	set
3	Nuts	ASTM A194 8M	ASTM A194 2HM	set
4	Ball	ASTM A351 CF8M	ASTM A351 CF8M	1
5	Gasket	# SS304/Graphite	SS304/Graphite	1
6	O-Ring	# Viton	Viton	1
7	Lower Cover	ASTM A182 316	ASTM A105-ENP	1
8	Thrust Bearing	# PTFE	PTFE	1
9	Stem Bearing	# Metal Packed PTFE	Metal Packed PTFE	1
10	Bolts	ASTM A193 B8M	ASTM A193 B7M	set
11	Washers	SS316	SS316	set
12	Stop Collar	ASTM A182 316	ASTM A182 316	1
13	Four-Split Rings	ASTM A182 316	ASTM A182 316	set
14	Spring Holder	ASTM A182 316	ASTM A182 316	1
15	Springs	Inconel X-750	Inconel X-750	set
16	O-Ring	# Viton	Viton	1
17	Seat Retainer	ASTM A182 316	ASTM A182 316	1
18	Packing	# Graphite	Graphite	1
19	Seat	# RPTFE	RPTFE	1
20	Stem	ASTM A182 316	ASTM A182 316	1
21	Thrust Washer	# PTFE	PTFE	1
22	O-Ring	# Viton	Viton	1
23	Stem Bearing	# Metal Packed PTFE	Metal Packed PTFE	1
24	Thrust Bearing	# Nylon	Nylon	1
25	Thrust Washer	ASTM A182 F6a	ASTM A182 F6a	1
26	Four Split-Rings	ASTM A182 F6a	ASTM A182 F6a	set
27	Packing Gasket	ASTM A182 F6a	ASTM A182 F6a	1
28	Packing	# Graphite	Graphite	1
29	Packing Ring	ASTM A182 F6a	ASTM A182 F6a	1
30	Gland	ASTM A351 CF8M	ASTM A216 WCB	1
31	Bolts	ASTM A193 B8M	ASTM A193 B7M	2
32	Anti-Static Device	Assembly	Assembly	1

Parts included in repair kits

Model CP - ANSI Class 150

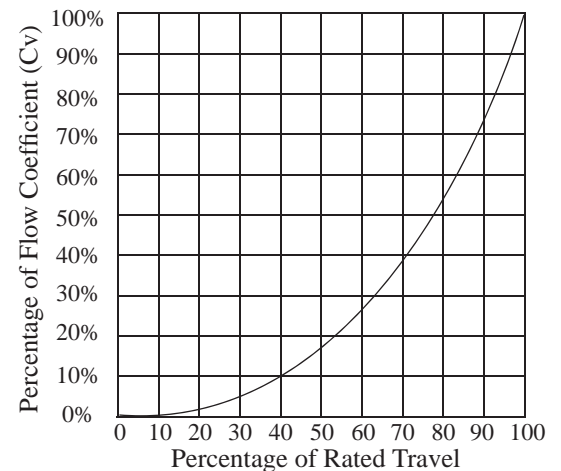
Size	A	B1	B2	C1	d	d1	F	h	K	L	M	N	P	R	S	T	W	Torque In-Lb	Weight Lbs
3"	8.00	1.97	2.95	4.65	2.76	2.17	7.50	0.08	0.89	1.48	0.472	4	0.79	5.00	6.00	0.75	M8	770	40
4"	9.00	2.99	3.94	5.43	2.76	2.17	9.00	0.08	1.36	1.99	0.669	8	1.02	6.19	7.50	0.75	M8	885	60
6"	10.5	3.94	5.91	6.97	4.02	2.76	11.0	0.12	1.22	1.97	0.866	8	1.34	8.50	9.50	0.88	M10	1770	99
8"	11.5	5.91	7.91	8.94	5.51	3.94	13.5	0.12	1.50	2.52	1.063	8	1.73	10.62	11.75	0.88	M16	3540	157
10"	13.0	7.91	9.92	10.51	6.50	5.12	16.0	0.12	1.85	3.17	1.260	12	2.01	12.75	14.25	1.00	M20	4868	243
12"	14.0	9.92	11.93	13.66	6.50	5.12	19.0	0.12	1.85	3.17	1.260	12	2.01	15.0	17.0	1.00	M20	7080	364

All Valves are hydrostatically Pressure Tested (Shell) & Air Pressure Tested (seat) to the following:

Shell Test:
450 psi for carbon steel
425 psi for stainless steel
Seat Test:
80 psi

Flow Coefficient Chart (Cv vs. Rated Travel)

Size	0%	10%	20%	30%	40%	50%	60%	70%	80%	90%	100%
3"	0	2.07	8.6	17.3	34.5	56.9	86.3	127.7	182.9	258.8	345
4"	0	3.39	14.1	28.3	56.5	93.2	141.3	209.1	299.5	423.8	565
6"	0	6.93	28.9	57.8	115.5	190.6	288.8	427.4	612.2	866.3	1155
8"	0	11.3	47.0	94	188	310.2	470	695.6	996.4	1410	1880
10"	0	16.3	67.8	135.5	271	477.2	677.5	1003	1436	2033	2710
12"	0	22.0	91.8	183.5	367	605.6	917.5	1358	1945	2753	3670



Additional Valve Technical Information Can Be Obtained from Factory.



Flo-Tite, Inc.
4815 West 5th St.
Lumberton, NC 28358

P. O. Box 1293
Lumberton, NC 28359
Website: www.flotite.com

Tel: (910) 738-8904
Fax: (910) 738-9112
E-mail: flotite@flotite.com