



PETRO SERIES

Models:

F60 Floating Ball Design

ANSI Class 600

Size: 2" - 6"

Full Port Design:

- 2PC Split Body Design

Standard Materials or Construction:

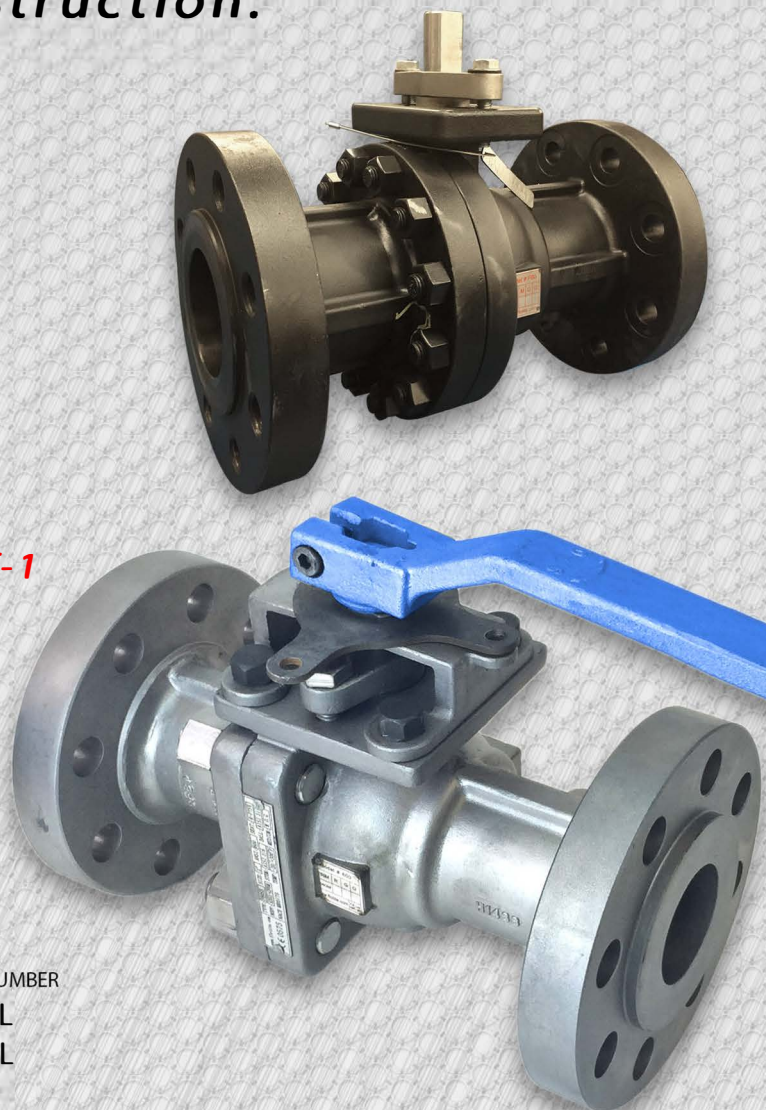
- WCB & LCB with 304SS Trim
- Also Available in CF8M/316SS
- RF or RTJ Flanged Connections

Design Features:

- Investment Castings
- Floating Ball Design
- Locking Device
- Blow-out Proof Stem
- Anti Static Ground
- Graphite Stem & Body Seals
- Pressure Testing API 598, BS 6755 PT-1
- Actuator Mounting Pad - ISO

Standards of Compliance:

- ANSI Class 600
- Flanges ANSI B 16.5
- Face to Face ANSI B 16.10
- Shell / Wall ANSI B 16.34
- Fire Safe API607-4
- NACE MRO1-75
- API-6D / ISO-9001
- CE Certified



Petro Series
STANDARD PRODUCT NUMBER
F60-SS-RGG-L
F60-LC-RGG-L

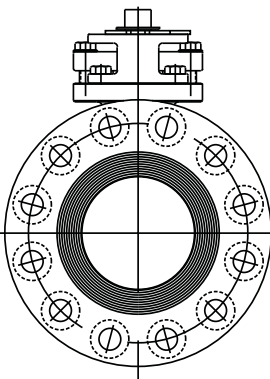
All Valves 100% Hydrostatically
Pressure Tested:
Class 600-Shell 2225 PSI

DESIGN & TECHNICAL DATA

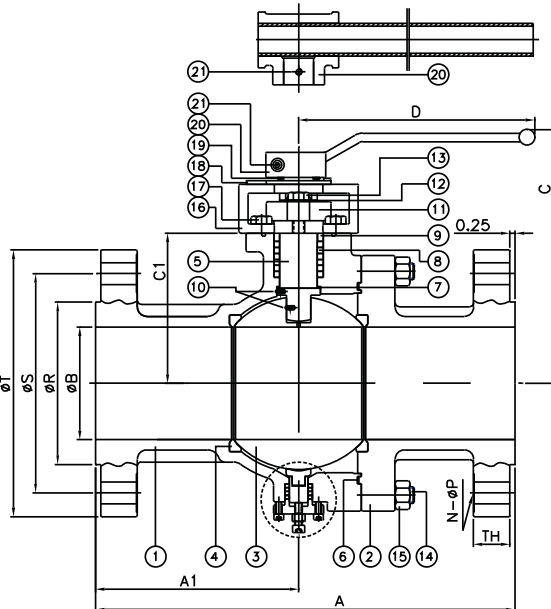
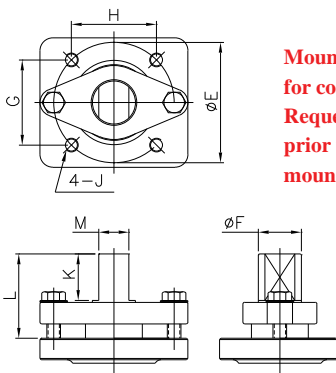
BILL OF MATERIALS:

| Part # | Name | Carbon Steel | Stainless Steel | Qty |
|--------|---------------------|--------------------|------------------|-----|
| 1 | Body | A352 LCB, A216 WCB | ASTM A351 CF8M | 1 |
| 2 | Cap | A352 LCB, A216 WCB | ASTM A351 CF8M | 1 |
| 3 | Ball | ASTM A351 CF8 | ASTM A351 CF8M | 1 |
| 4 | Seats | # Carbon + PTFE | Carbon + PTFE | 2 |
| 5 | Stem | SS304 / 17-4PH | SS316 / 17-4PH | 1 |
| 6 | Gasket | # SS304 + Graphite | SS304 + Graphite | 1 |
| 7 | Thrust Washer | # Carbon + PTFE | Carbon + PTFE | 1 |
| 8 | Stem Packing | # Graphite | Graphite | 1 |
| 9 | Packing Follower | SS304 | SS316 | 1 |
| 10 | Anti-Static Devices | SS304 | SS316 | 2 |
| 11 | Packing Gland | A352 LCB, A216 WCB | ASTM A351 CF8 | 1 |
| 12 | Belleville Washers | SS301 | SS310 | 2 |
| 13 | Gland Bolts | SS304 | SS304 | 2 |
| 14 | Body Studs | ASTM A193 B7 | ASTM A193 B8 | set |
| 15 | Body Nuts | ASTM A194 2H | ASTM A194 8 | set |
| 16 | Stop Housing | A352 LCB, A216 WCB | ASTM A351 CF8 | 1 |
| 17 | Housing Bolts | SS304 | SS304 | 4 |
| 18 | Travel Stop | SS304 | SS304 | 1 |
| 19 | Snap Ring | Nickel Plated CS | Nickel Plated CS | 1 |
| 20 | Handle | Ductile Iron | Ductile Iron | 1 |
| 21 | Locking Bolt | Steel | Steel | 1 |
| 22 | Turning Screw | SS304 | SS304 | 1 |
| 23 | Set Nut | SS304 | SS304 | 1 |
| 24 | Base Gland Bolts | SS304 | SS304 | 4 |
| 25 | Base Gland | A105 / LF2 | SS304 | 1 |
| 26 | Support Pin | SS304 | SS316 | 1 |
| 27 | Pin Packing | # Graphite | Graphite | 1 |
| 28 | Pin Seat | # Carbon + PTFE | Carbon + PTFE | 1 |

Petro Series Valve

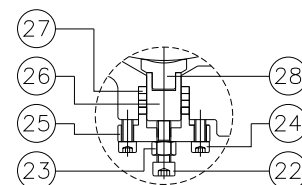


Mounting Dimensions:



Mounting Dimensions are for cost estimating only! Request certified drawing prior to manufacturing mounting hardware.

Ball Support Design



Appear on 6" only

Parts included in repair kits

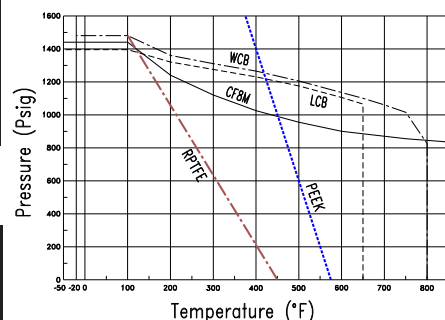
Model F60 - ANSI Class 600 Dimensions, Cv, Torque & Weight:

| Size | A | A1 | B | C | C1 | D | E | F | G | H | J | K | L | M | N | P | R | S | T | TH | Cv | ISO | Torque, in-lb | Torque, in-lb | Weight |
|------|------|-------|------|------|------|-------|------|------|------|------|-----------|------|------|-------|----|------|------|-------|-------|------|------|-----|---------------|---------------|--------|
| | | | | | | | | | | | | | | | | | | | | | | | @ 1000 psi | @ 1500 psi | |
| 2" | 11.5 | 5.55 | 1.97 | 5.94 | 2.95 | 13.78 | 4.02 | 0.95 | 2.84 | 2.84 | 1/2-13unc | 0.98 | 2.09 | 0.669 | 8 | 0.75 | 3.62 | 5.00 | 6.50 | 1.00 | 410 | F10 | 880 | 1100 | 38 |
| 3" | 14.0 | 6.80 | 3.00 | -- | 5.12 | -- | 4.02 | 1.10 | 2.84 | 2.84 | 1/2-13unc | 1.54 | 2.60 | 0.669 | 8 | 0.88 | 5.00 | 6.62 | 8.25 | 1.25 | 1120 | F10 | 2640 | 3300 | 85 |
| 4" | 17.0 | 8.62 | 4.00 | -- | 6.10 | -- | 4.92 | 1.34 | 3.48 | 3.48 | 1/2-13unc | 1.95 | 3.15 | 1.024 | 8 | 1.00 | 6.19 | 8.50 | 10.75 | 1.50 | 1825 | F12 | 5600 | 7000 | 154 |
| 6" | 22.0 | 10.65 | 6.00 | -- | 7.87 | -- | 5.51 | 1.97 | 3.90 | 3.90 | 5/8-11unc | 2.13 | 3.86 | 1.378 | 12 | 1.12 | 7.31 | 11.50 | 14.00 | 1.88 | 4700 | F14 | 10560 | 13200 | 363 |

F60 Series - Product Identification Code / Model Numbers

| Model | Body Material | Ball Material | Stem Material | Seat Material | Stem Seal Material | Body Seal Material | Valve Operator |
|-------|---------------|---------------|---------------|---------------|--------------------|--------------------|----------------|
| F60 | 316SS CF8M | SS | 316SS CF8M | SS | SS316 | SS | RPTFE R |
| | WCB A216 | CS | 304SS CF8 | S4 | SS304 | S4 | PEEK P |
| | LCB A352 | LC | | | 17-4PH | S7 | Metal M |

Pressure & Temperature Chart



Most additional seating materials are available, consult factory

Ordering Example by Part Numbers

| F60 Series | Carbon Steel Body | SS304 Ball | SS316 Stem | RPTFE Seat | Graphite Packing | Graphite Body Seal | Bare Stem |
|------------|-------------------|---------------|---------------|---------------|--------------------|--------------------|----------------|
| Model | Body Material | Ball Material | Stem Material | Seat Material | Stem Seal Material | Body Seal Material | Valve Operator |
| F60 | CS | S4 | SS | R | G | G | N |

NOTE:

- A variety of Special Alloys as well as Special Seating materials are available.
- Sizes 8" thru 24" available in TM series of Trunnion Design, C/F
- Weatherproof gear operators are recommended for size 4" and larger valves.
- Consult factory for gear operator dimensions and information.



Flo-Tite, Inc.
4815 West 5th St.
Lumberton, NC 28358

P. O. Box 1293
Lumberton, NC 28359
Website: www.flotite.com

Tel: (910) 738-8904
Fax: (910) 738-9112
E-mail: flotite@flotite.com

Due to continuous development & improvement of our product range, we reserve the right to alter the dimensions and techcal data included in this brochure.