



## 3 PIECE FULL BORE BALL VALVE

### Flo-Tite's Economical Tri-Star Series

#### MODELS:

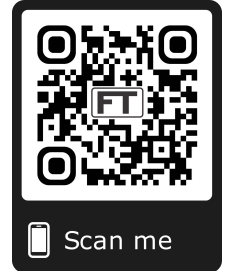
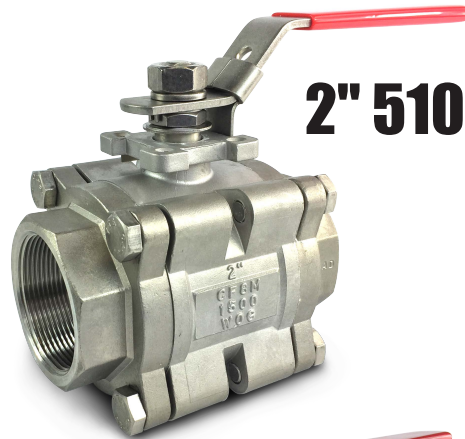
510SS	NPT	-	316SS
520SS	SW	-	316SS
410CS	NPT	-	WCB
420CS	SW	-	WCB

#### PRESSURE RATING:

1500	MAWP/WOG
150	SWP

#### SIZE RANGE:

1/4" Thru 2"



#### Tri-Star Series

STANDARD PRODUCT NUMBER

- 510-SS-1-RRR-L (SS)
- 510-SS-1-RGG-L (SS - Fire Safe)
- 520-SS-2-RRR-L (SS)
- 520-SS-2-RGG-L (SS - Fire Safe)
- 410-CS-1-RRR-L (CS)
- 410-CS-1-RGG-L (CS - Fire Safe)
- 420-CS-2-RRR-L (CS)
- 420-CS-2-RGG-L (CS - Fire Safe)

Fire Safe Design

### DESIGN FEATURES

- ISO-5211 Type Pad
- Safety Locking Handle
- Reinforced PTFE Seats / Seals Standard
- Metal Name Plate Identifies all soft parts
- Cap Screws are used to insure precise alignment of valve center body & end cap.
- Swing-out body design for ease of maintenance

- Full Port Design improves flow resulting in increased process efficiencies.
- Blow-out proof stem
- Foundry Traceability
- Adjustable stem packing
- Triple Stem Seal V-Ring, O-Ring, Thrust Washer
- CE Certified
- Fire Safe Design Available

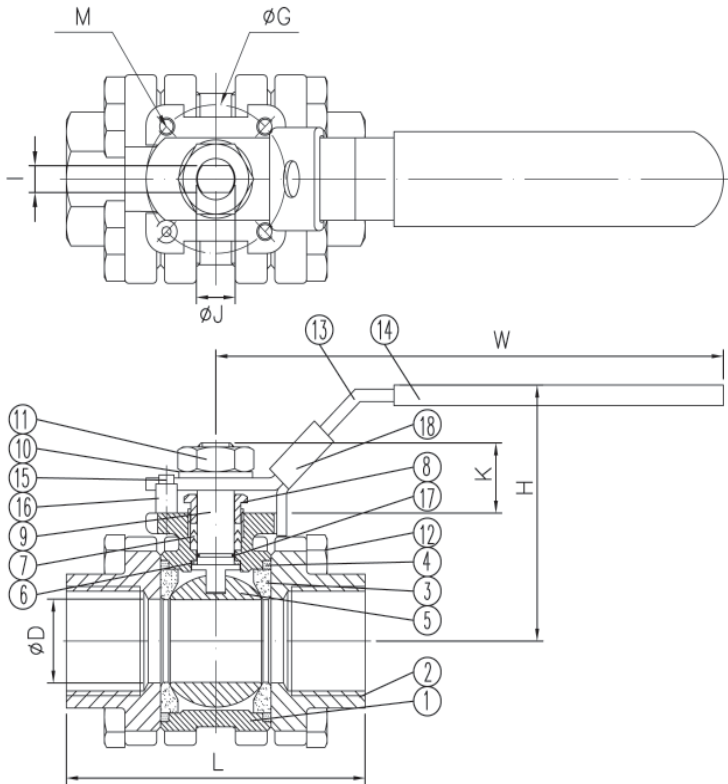
*Ideally designed for chemical, textile, process, and contractor markets where quality and price are major considerations.*

[www.flotite.com](http://www.flotite.com)

**DESIGN & TECHNICAL DATA**

**3PC Tri-Star Series**

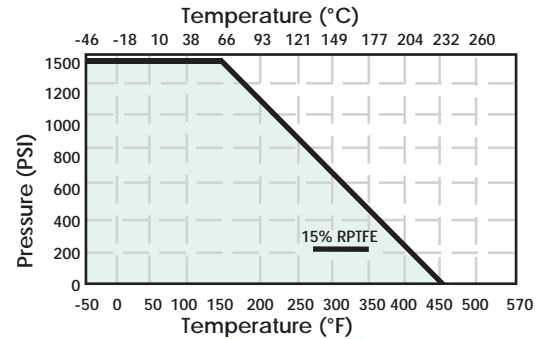
1500 MAWP/WOG / Full Port



**Model Numbers :**

510SS	NPT	-	316SS
520SS	SW	-	316SS
410CS	NPT	-	WCB
420CS	SW	-	WCB

**PRESSURE & TEMPERATURE DATA**



**ATTENTION**  
MAWP/WOG is a do not exceed pressure at normal ambient NPT & Weld End Models

**Bill of Materials:**

NO.	PARTS	510SS MODEL	410CS MODEL	QTY
1	Body	ASTM A351-CF8M	ASTM A216-WCB	1
2	End Caps	ASTM A351-CF8M	ASTM A216-WCB	2
3	Seats *	RPTFE	RPTFE	2
4	Gaskets *	RPTFE	RPTFE	2
5	Ball	ASTM A351-CF8M/316	ASTM A351-CF8/304	1
6	Thrust Washer *	RPTFE	RPTFE	1
7	Stem Packings *	RPTFE	RPTFE	set
8	Gland	AISI 304	AISI 304	1
9	Stem	ASTM A276-316	ASTM A276-304	1
10	Handle Washer	AISI 304	AISI 304	1
11	Handle Nut	AISI 304	AISI 304	1
12	Cap Screws	AISI 304	Carbon Steel	8
13	Handle	AISI 304	Zinc Plated Steel	1
14	Handle Cover	PVC	PVC	1
15	Stop Screw	AISI 304	Carbon Steel	1
16	Nut	AISI 304	Carbon Steel	1
17	O-Ring *	VITON	VITON	1
18	Locking Device	304SS	304SS	1

\* Parts included in repair kits

**DIMENSIONS:**

SIZE		ØD		ØG		H		I		ØJ		K		L		W		M	TORQUE	WEIGHT	ISO PAD	
inch	mm	inch	mm	inch	mm	inch	mm	inch	mm	inch	mm	inch	mm	inch	mm	inch	mm	inch	CV	lbs.		
1/4"	8	0.41	10.5	1.42	36	2.17	55	0.20	5	0.31	8	0.35	9	2.56	65	5.31	135	M5	53	7	0.93	F03
3/8"	10	0.49	12.5	1.42	36	2.17	55	0.20	5	0.31	8	0.35	9	2.56	65	5.31	135	M5	53	10	0.95	F03
1/2"	15	0.59	15	1.42	36	2.35	59.8	0.20	5	0.31	8	0.45	11.5	2.76	70	5.31	135	M5	69	15	1.32	F03
3/4"	20	0.79	20	1.42	36	2.46	62.5	0.24	6	0.39	10	0.59	15	3.15	80	5.31	135	M5	88	40	1.96	F03
1"	25	1.00	25	1.65	42	2.72	69	0.31	8	0.47	12	0.63	16	3.54	90	6.50	165	M5	116	70	2.76	F04
1 1/4"	32	1.26	32	1.65	42	3.09	78.5	0.31	8	0.47	12	0.63	18	4.13	105	6.50	165	M5	188	120	4.39	F04
1 1/2"	40	1.50	38	1.97	50	3.59	91.3	0.31	8	0.55	14	0.79	20	4.72	120	6.89	175	M6	390	200	6.15	F05
2"	50	1.97	50	1.97	50	3.96	100.5	0.31	8	0.55	14	0.79	20	5.28	134	8.66	220	M6	480	370	9.37	F05

**SPECIFICATION STANDARDS:**

- All valves shell and seat tested to ANSI/ASME B16.34 & API 598
- Federal specification WWV-35, Type II
- End Connections Threaded ASME B1.20.1 FNPT Socket Weld ASME B16.11
- All materials comply with applicable ASTM material specifications
- Safety lock handle, meets requirements of OSHA 1910-147
- 1500 PSIG WOG, Cold non-shock 150 PSIG Saturated steam
- Fire safe design available C/F



Flo-Tite, Inc.  
4815 West 5th St.  
Lumberton, NC 28358

P. O. Box 1293  
Lumberton, NC 28359  
Website: www.flotite.com

Tel: (910) 738-8904  
Fax: (910) 738-9112  
E-mail: flotite@flotite.com