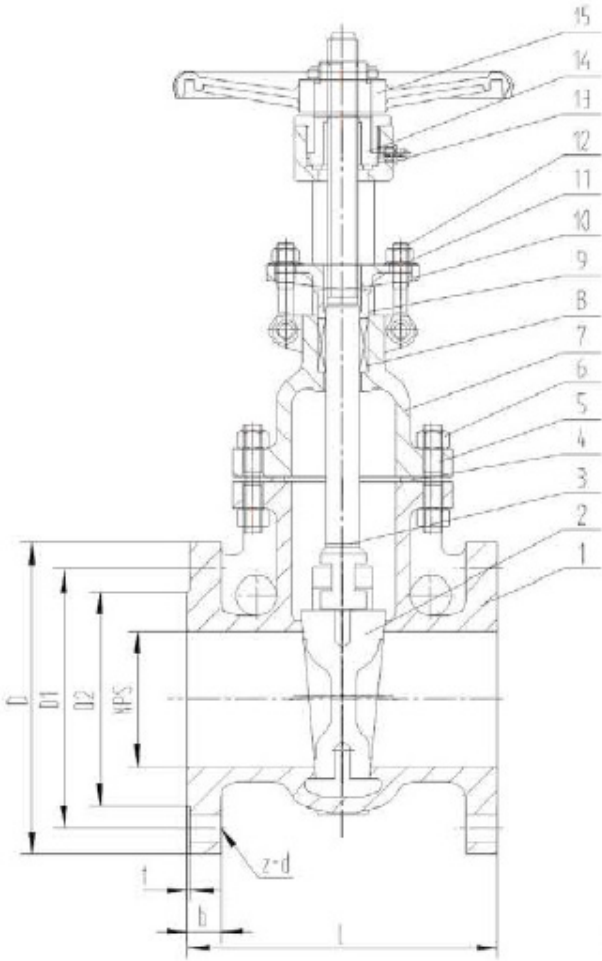


# Gate Valves Series SuperAlloy Valves

## API 600 Gate Valves

## Main Parts & Dimensions



8" and above with yoke

No.	Parts	Example: Alloy 20
1	Body	A351 CN7M
2	Wedge	A351 CN7M
3	Stem	B462 N08020
4	Gasket	Alloy 20+Flexible Graphite
5	Stud	A193 B8
6	Nut	A194 8
7	Bonnet	A351 CN7M
8	Packing	Flexible Graphite
9	Gland Bushing	B462 N08020
10	Gland Flange	A351 CF8
11	Nut	A194 8
12	Bolt	A193 B8
13	Grease Nipple	Bronze
14	Stem Nut	ZQL9-4
15	Hand Wheel	DI+Anti-Corrosive rubber

### Dimensions (mm)

Size (Inch)	Class 150LB							Class 300LB							Class 600LB						
	L	D	D1	D2	b	f	z-d	L	D	D1	D2	b	f	z-d	L	D	D1	D2	b	f	z-d
2"	178	152	120.5	92	16	1.6	4-19	216	165	127	92	22	1.6	8-19	292	165	127	92	33	6.4	8-19
2½"	190	178	139.5	105	18	1.6	4-19	241	190	149	105	25	1.6	8-22	330	190	149	105	36	6.4	8-22
3"	203	190	152.5	127	19	1.6	4-19	283	210	168	127	29	1.6	8-22	356	210	165	127	39	6.4	8-22
4"	229	229	190.5	157	24	1.6	8-19	305	254	200	157	32	1.6	8-22	432	273	216	157	45	6.4	8-25
5"	254	254	216	186	24	1.6	8-22	381	279	235	186	35	1.6	8-22	508	330	266.5	186	52	6.4	8-29
6"	267	279	241.5	216	26	1.6	8-22	403	318	270	216	37	1.6	12-22	559	356	292	216	55	6.4	12-29
8"	292	343	298.5	270	29	1.6	8-22	419	381	330	270	41	1.6	12-25	660	419	349	270	63	6.4	12-32
10"	330	406	362	324	31	1.6	12-25	457	444	387.5	324	48	1.6	16-29	787	508	432	324	71	6.4	16-35
12"	356	483	432	381	32	1.6	12-25	502	521	451	381	51	1.6	16-32	838	559	489	381	74	6.4	20-35

Notes:  
 Other size & pressures are available upon request.  
 Max-Seal reserves the right to change this information without notice.

**API 602 Gate Valve**

**General Highlights**

Max-Seal 2" and below gate valves are manufactured to API 602 and tested to API 598.

**Body & Bonnet**

The design of the body & bonnet connection varies depending on the class of the valve. Class 150LB~600LB gate valves with bolted bonnet design, class 900LB and above gate valves with pressure seal bonnet design.

Bonnets are made either of one piece only—the yoke then being an integral part of it. This ensures the perfect alignment with the body what leads to an accurate opening and closing.

**Wedge**

2" and below gate valves are with solid wedge unless otherwise specified by the customer.

**Stem**

The stem of Max-Seal gate valves are forged from one piece and TR threaded, then mechanized and finally provided with a smooth finishing in order to minimize friction.

In gate valves, the union of stem and wedge shall be in T form, it is designed to prevent the stem disengaging itself from the wedge while being in service.

**Packing**

The packing is designed and arranged to ensure a maximum seal along the stem, and the standard packing is asbestos free. We can supply any kinds of packing as required by customer.

**Body & Bonnet Gasket**

The design of the body-bonnet gaskets are all in a circular design.

**Gland**

The gland is made of two pieces. Packing box is in contact with the packing which is connected to gland flange. Particular design permits a correct pressure on the packing without any damage to stem due to friction or corrosion. This feature is only for special alloy material valves.

**Seat**

Max-Seal API 602 gate valves has a renewable seat design. The sealing surface with a hard facing design is available upon request. High-quality deposit of hard facing materials including CoCr alloy, 13Cr etc.

**Operation**

Handwheels are designed for easy operation.

**Others**

\*Reduce bore \*Outside screw and yoke (OS&Y) \*Bolted bonnet \*Non-rising handwheel \*Ends: Flange, BW, SW, NPT

