

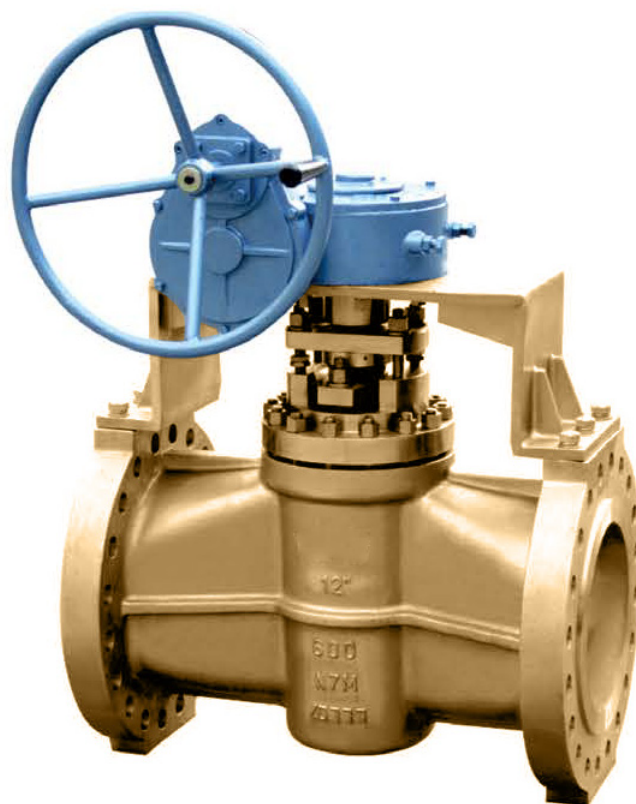
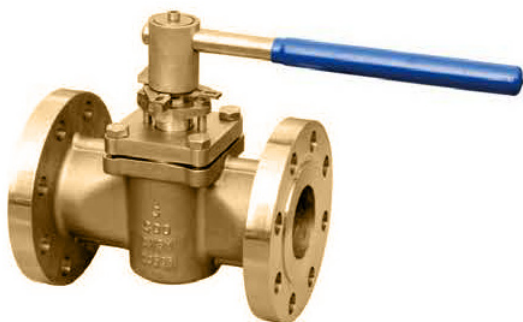
Plug Valves Series SuperAlloy Valves

Plug Valves

General Highlights

Features

- Non-Lubrication
- Threefold stem seal system
- Zero leakage
- Cavity-free design
- 360° metal lips design
- Quick turn feature
- Anti-Static design
- Fire safe
- Full bore & Venturi reduce bore
- Replaceable sleeve
- Bi-directional flow
- Zero dead space



ASME Flanged Plug Valve as Citing	
Design	API 599
Testing	API 598, API 6D
Face to face dimension	ASME B16.10
Flange ends	ASME B16.5
Pressure temperature rating	AMS B16.34
Visual inspection of casting	MSS-SP-55

Size/Pressure produce range		Operator
Pressure	Size	
150LB	½" up to 24"	½"~4" Level Op. 6"~24" Gear Op.
300LB	½" up to 24"	½"~4" Level Op. 6"~24" Gear Op.
600LB	½" up to 14"	½"~4" Level Op. 6"~14" Gear Op.
900LB	½" up to 14"	½"~1½" Level Op. 2"~14" Gear Op.

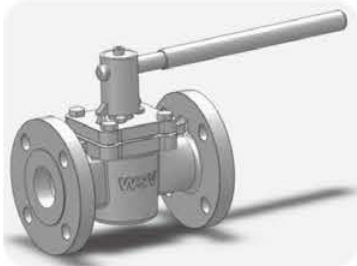
Notes:

- Other unspecified standards and are available
- Other ends criterion: Threaded NPT—ASME B1.20.1; Socket Weld—ASME B16.11; Butt Weld—ASME B16.25; BSPP/BSPT—BS21

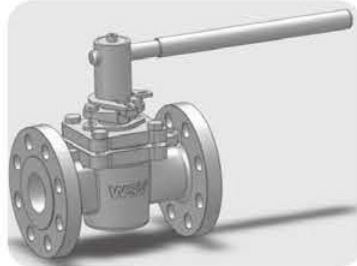
Plug Valves

General Highlights

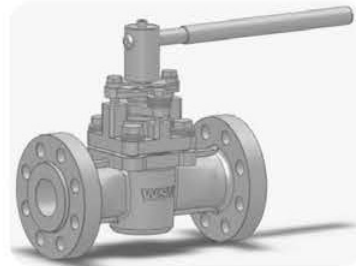
Non-Lubricated Sleeved Plug Valves Series



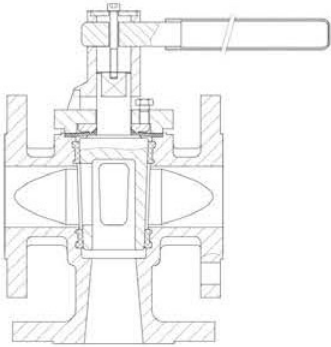
Single Gland Type Plug Valves



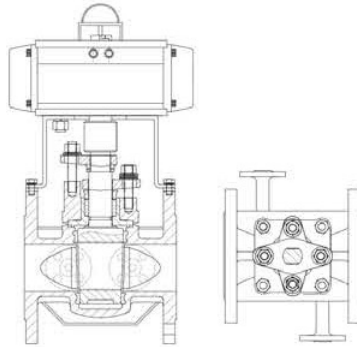
Lockable Single Gland Plug Valves



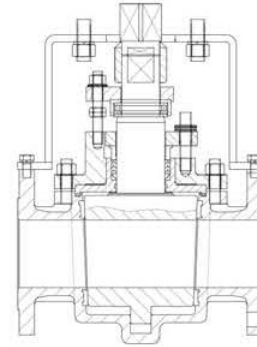
Double Glands Type Plug Valves



3 Way Plug Valves



Jacketed Plug Valves



Full Port Plug Valves

Various Materials In order to meet various flow media requirements, the high alloys are available



Material	ASTM
Titanium	ASTM B367
Nickel	ASTM A949 CZ100
Monel	
Inconel 600	
Inconel 625	
Hastelloy C	
Hastelloy B	
Zirconium	
904L	
Alloy 20	
254SMO	
DSS	
Ni-Al-Br	
Other materials are available	