



Standard Port Two Piece Ball Valves



COMMERCIAL SERIES STANDARD PORT TWO PIECE BALL VALVE CARBON AND STAINLESS STEEL

MODEL T70-SS-RTT-L

Size Range:

1/4"-2"

Pressure Rating:

1/4"-1" 2000 WOG

1 1/4"-2" 1500 WOG



T70 Series
STANDARD PRODUCT NUMBER
T70-SS-RTT-L



Three Bolt Actuator Mounting Design

MODELS

Stainless Steel 316 - T70-SS

Carbon Steel WCB - T70-CS

Reinforced PTFE Seating

Pressure Rating:

2000 WOG 1/4" thru 1"

1500 WOG 1 1/4" thru 2"

Steam Rating: 150 psi (WSP)

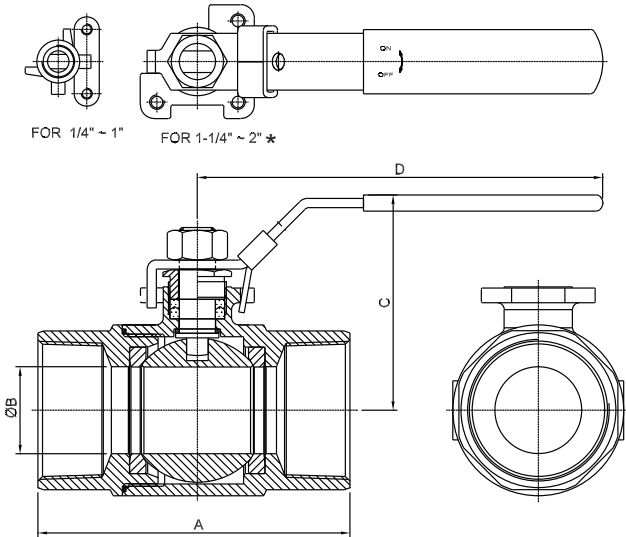
Temperature Range: -20 to +450°F

FEATURES:

- Quality Investment Cast Body
- Internal Entry Blow-out Proof Stem
- Adjustable Packing Gland
- Safety Type Locking Handle
- Actuator Mounting Pad
- All Carbon Steel Bodies Are Black Phosphate Coated For Added Corrosion Resistance

Built to Satisfy High Pressure Applications Affordably!

T70 STANDARD PORT BALL VALVE DESIGN AND TECHNICAL DATA



DIMENSIONS AND WEIGHTS:

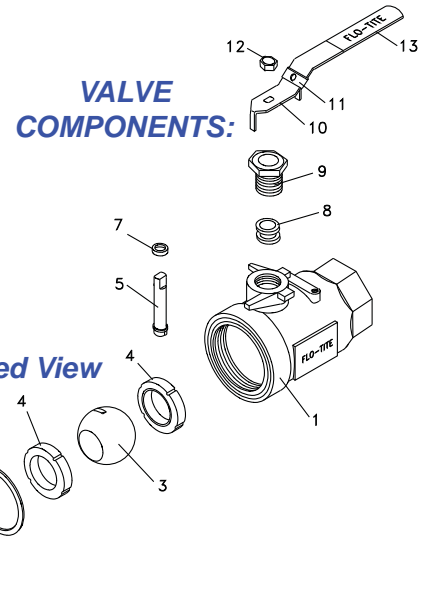
| SIZE | A | B | C | D | CV | Torque in-lb | Weight lbs |
|--------|------|------|------|------|-----|--------------|------------|
| 1/4" | 2.23 | 0.50 | 2.13 | 4.09 | 15 | 60 | 0.68 |
| 3/8" | 2.23 | 0.50 | 2.13 | 4.09 | 15 | 60 | 0.68 |
| 1/2" | 2.35 | 0.50 | 2.13 | 4.09 | 15 | 65 | 0.66 |
| 3/4" | 3.11 | 0.69 | 2.59 | 4.92 | 40 | 80 | 1.36 |
| 1" | 3.35 | 0.88 | 2.70 | 4.92 | 70 | 130 | 1.67 |
| 1 1/4" | 4.02 | 1.00 | 3.37 | 5.91 | 120 | 210 | 3.15 |
| 1 1/2" | 4.37 | 1.26 | 3.54 | 5.91 | 200 | 200 | 3.96 |
| 2" | 5.39 | 1.50 | 3.74 | 7.09 | 340 | 340 | 5.81 |

*Consult factory for Actuator mounting dimensions

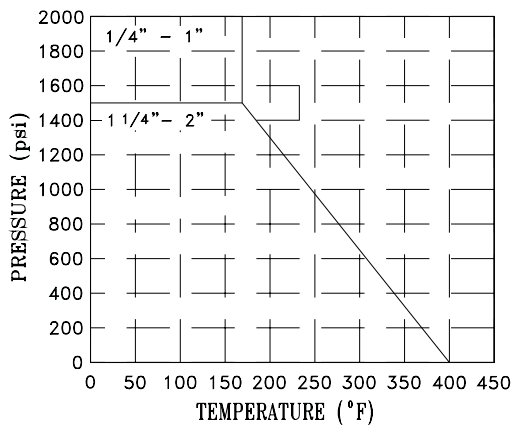
BILL OF MATERIALS:

| Item | Name | T70-SS | T70-CS | Qty |
|------|----------------|----------------|----------------|-----|
| 1 | Body | ASTM A351 CF8M | ASTM A216 WCB | 1 |
| 2 | Cap | ASTM A351 CF8M | ASTM A216 WCB | 1 |
| 3 | Ball | ASTM A351 CF8M | ASTM A351 CF8M | 1 |
| 4 | Seats | # RPTFE | RPTFE | 2 |
| 5 | Stem | SS316 | SS316 | 1 |
| 6 | Gasket | # PTFE | PTFE | 1 |
| 7 | Thrust Washer | # PTFE | PTFE | 1 |
| 8 | Stem packing | # PTFE | PTFE | 1 |
| 9 | Gland Nut | SS304 | SS304 | 1 |
| 10 | Handle | SS304 | SS304 | 1 |
| 11 | Locking Device | SS304 | SS304 | 1 |
| 12 | Handle Nut | SS304 | SS304 | 1 |
| 13 | Handle Sleeve | PLASTIC | PLASTIC | 1 |

Parts included in repair kits



PRESSURE AND TEMPERATURE DATA:



ATTENTION
 MAWP/WOG is a do not exceed pressure at normal ambient NPT & Weld End Models

TEST PRESSURE:

SHELL: 2250~3000 psi
 SEAT: 100 psi
 All valves 100% air tested under water at 100 psi Open and Close position.
 Vacuum Service to 29 inches Hg.

Conforms to:
 Federal Specification WW-V-35C
 Type Style 3

Drilled and Tapped Actuator Mounting Pad,
 Consult Factory for Dimensions

Standard Model Number:

316SS - T70-SS-RTT-L
WCB - T70-CS-RTT-L

Specify with confidence and maximize your purchasing with **Flo-Tite Ball Valves.**



Flo-Tite, Inc.
 4815 West 5th St.
 Lumberton, NC 28358

P. O. Box 1293
 Lumberton, NC 28359
 Website: www.flotite.com

Tel: (910) 738-8904
 Fax: (910) 738-9112
 E-mail: flotite@flotite.com