



Three Piece SS Economical Type

EconoChem Series

Valve Features

- Three Piece Body, Full Port Design
- Threaded, Socket-Weld or Butt Weld Ends
- Body: CF8M, 316SS
- RTFE Seats or TFM
- Size Range:
1/4" to 4"
- Pressure Rating:
1000 MAWP/WOG
- Temperature Range:
(-20° F - 400° F)

Models:

- #110 - Threaded Ends
- #120 - Socket Weld Ends
- #130 - Butt Weld Ends
- #190 - Groove Ends



Three Piece SS Economical Type

STANDARD PRODUCT NUMBERS

110-SS-1-RTT-L

120-SS-2-RTT-L

130-SS-3-RTT-L (Not a standard C/F for price)

Design Advantages

- ISO 5211 Direct-Mounting Pad - Provides for precise shaft alignment
- Three Piece Swing Out Design for easy maintenance
- Improved Seat Material - Extends cycle life and reduces torque
- Blow-out Proof Stem
- Locking Device standard for valves with handles

Optional:
A216 WCB Socket Weld Ends can be combined with Stainless Steel Bodies.

Simplicity & performance, an ideal choice for applications that require an economical three piece stainless steel ball valve.

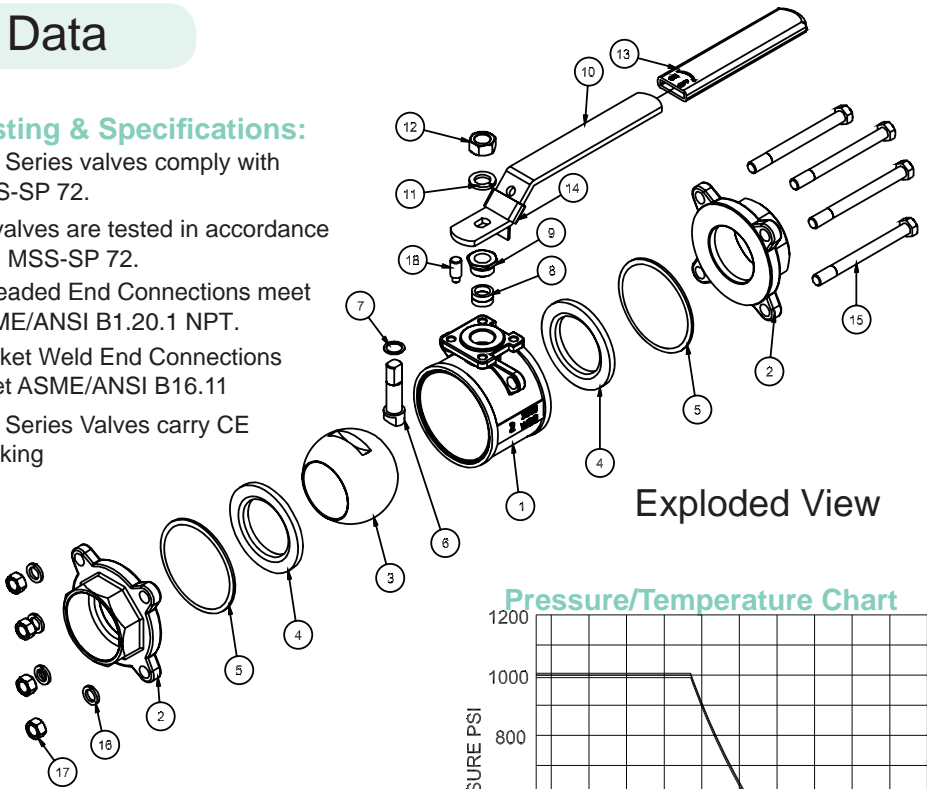
Design and Technical Data

Bill of Materials

Item	Parts	Material	Qty
1	Body	ASTM A351 CF8M	1
2	Caps	ASTM A351 CF8M	2
3	Ball	ASTM A351 CF8M	1
4	Ball Seats #	RPTFE	2
5	Joint Gaskets #	PTFE	2
6	Stem	SS316	1
7	Thrust Washer #	PTFE	1
8	Stem Packing #	PTFE	1
9	Gland Nut	SS316	1
10	Handle	SS316	1
11	Stem Washer	SS316	1
12	Stem Nut	SS316	1
13	Handle Cover	Plastic	1
14	Locking Device	SS316	1
15	Bolts	SS316	4
16	Spring Washers	SS316	4
17	Hex Nuts	SS316	4
18	Stop Pin	SS316	1

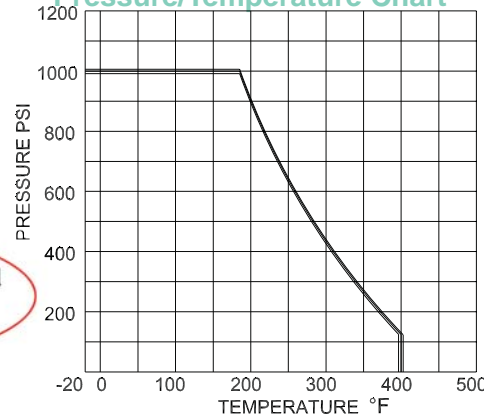
Testing & Specifications:

100 Series valves comply with MSS-SP 72.
 All valves are tested in accordance with MSS-SP 72.
 Threaded End Connections meet ASME/ANSI B1.20.1 NPT.
 Socket Weld End Connections meet ASME/ANSI B16.11
 100 Series Valves carry CE Marking



Exploded View

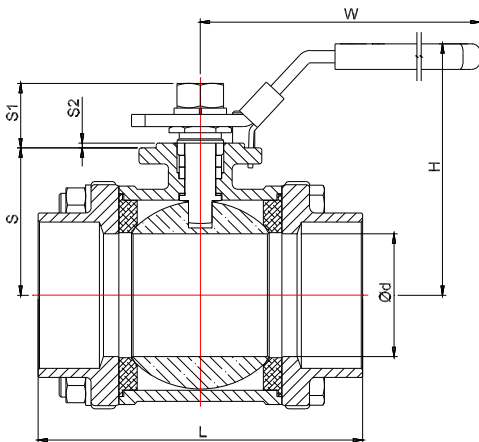
Pressure/Temperature Chart



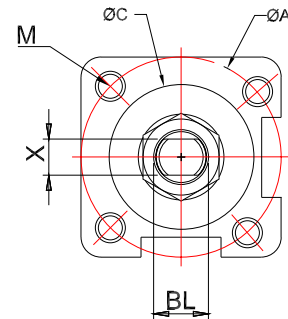
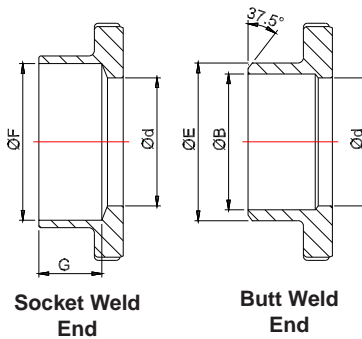
Parts included in repair kits

Steam Rating 150 PSI WSP
 250 PSI available with SuperTek III seats.
 Vacuum service to 25 torr

ATTENTION
 MAWP/WOG is a do not exceed pressure at normal ambient NPT & Weld End Models



Models: 100 Series



Dimensions and Weights

SIZE	A	B	BL	C	d	E	F	G	H	L	M	S	S1	S2	W	X	Cv	Torque in-lb	ISO Pattern	Weight Lbs
1/4"	1.42	0.47	5/16"	-	0.46	0.71	0.56	0.51	2.17	2.29	M5	1.04	0.52	-	3.74	0.197	8	35	F03	0.75
3/8"	1.42	0.55	5/16"	-	0.50	0.71	0.69	0.50	2.17	2.29	M5	1.04	0.52	-	3.74	0.197	10	35	F03	0.84
1/2"	1.42	0.67	5/16"	-	0.59	0.87	0.85	0.52	2.36	2.44	M5	1.20	0.62	-	3.74	0.197	18	47	F03	1.1
3/4"	1.42	0.89	3/8"	-	0.79	1.08	1.07	0.68	2.48	2.99	M5	1.30	0.72	-	4.33	0.256	42	82	F03	1.8
1"	1.65	1.10	7/16"	1.21	0.98	1.32	1.33	0.71	3.11	3.35	M5	1.56	0.85	0.08	5.31	0.315	74	90	F04	2.6
1 1/4"	1.65	1.32	7/16"	1.21	1.26	1.73	1.68	0.80	3.39	3.94	M5	1.71	0.91	0.08	5.31	0.315	130	124	F04	4.4
1 1/2"	1.97	1.69	1/2"	1.42	1.50	1.97	1.92	0.87	3.70	4.53	M6	2.05	0.98	0.08	6.50	0.354	210	185	F05	5.5
2"	1.97	2.09	1/2"	1.42	1.97	2.42	2.41	0.96	4.06	5.20	M6	2.44	0.91	0.08	6.50	0.375	370	300	F05	8.2
2 1/2"	2.76	2.56	3/4"	2.20	2.56	2.99	3.03	1.30	5.24	6.50	M8	3.03	1.62	0.08	8.46	0.472	660	440	F07	16.3
3"	4.02	3.15	3/4"	2.80	3.15	3.62	3.52	1.44	5.67	7.20	M10	3.54	1.56	0.06	8.46	0.472	928	770	F10	28.2
4"	4.02	3.94	1"	-	3.94	4.53	4.55	1.67	6.97	9.11	M10	4.33	1.85	-	12.8	0.630	1710	1400	F10	50.7



Flo-Tite, Inc.
 4815 West 5th Street
 Lumberton, NC 28358

P. O. Box 1293
 Lumberton, NC 28359
 Website: www.flotite.com

Tel: (910) 738-8904
 Fax: (910) 738-9112
 E-mail: flotite@flotite.com

Due to continuous development & improvement of our product range, we reserve the right to alter the dimensions and technical data included in this brochure.

Printing Date 2018/08